

D-MOTION

DS10 Series Full Extension Undermount Slides with Locking Device



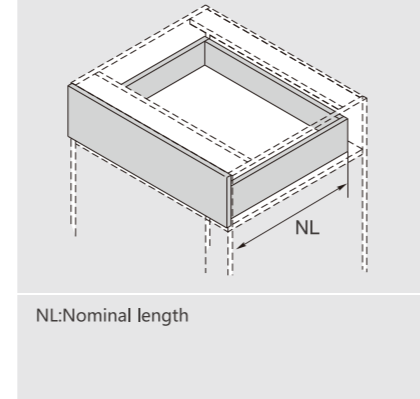
PRODUCT



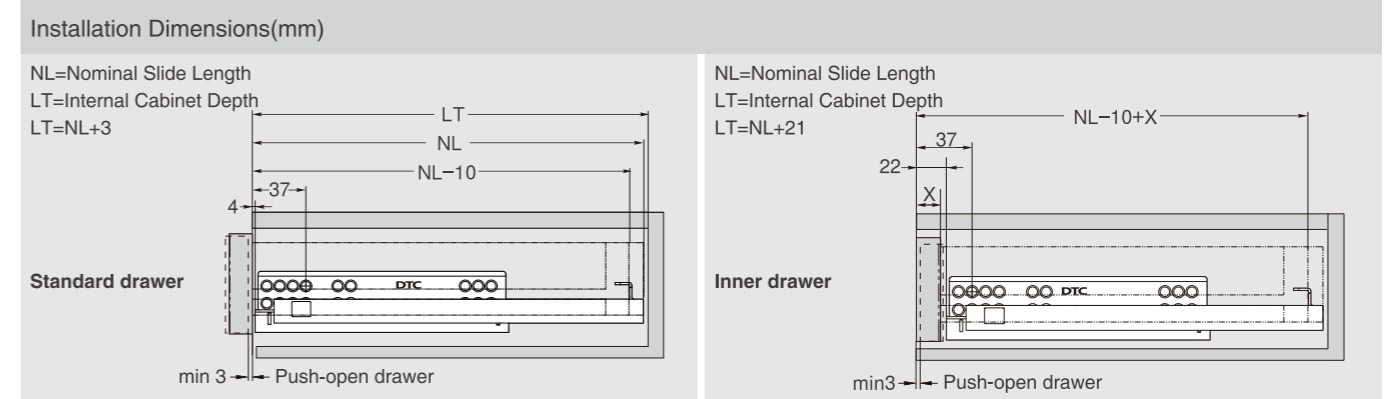
DESCRIPTION

- Load capacity: 35kg
- Finish: zink plated
- Length: 250-600mm, full extension
- Silent system guarantees smooth run without noise
- 2D adjustment, up&down: 0-3mm, side: ± 1.5mm
- 3D adjustment, up&down: 0-3mm, side: ± 1.5mm, depth: 0-3mm
- Maximum drawer side thickness: 16mm

SPACE REQUIREMENT



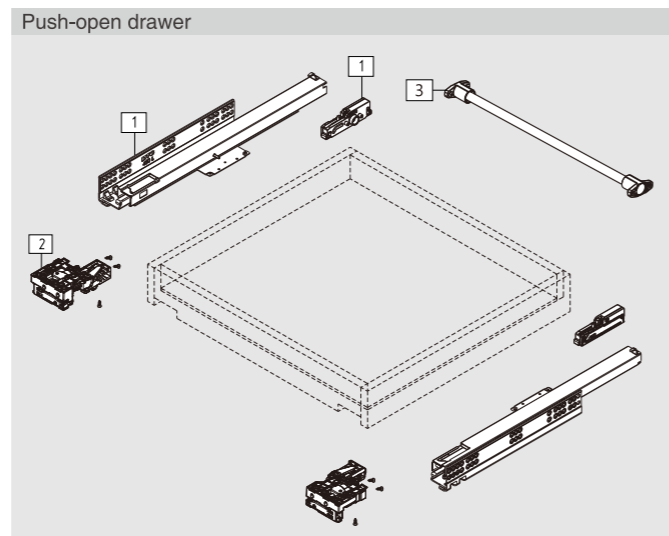
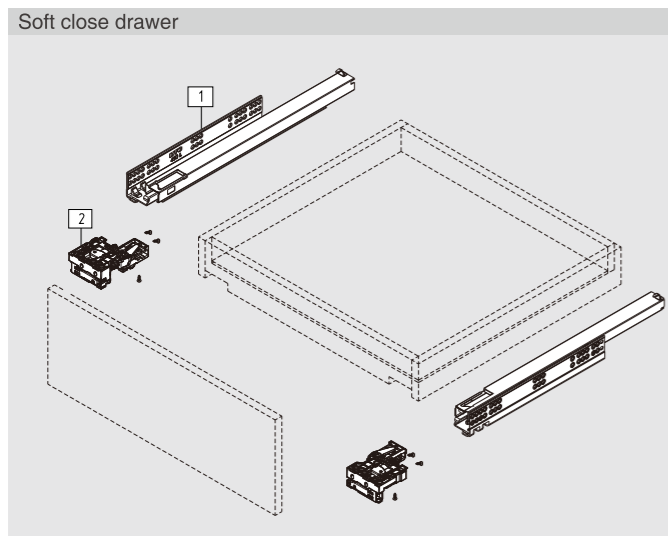
PLANNING



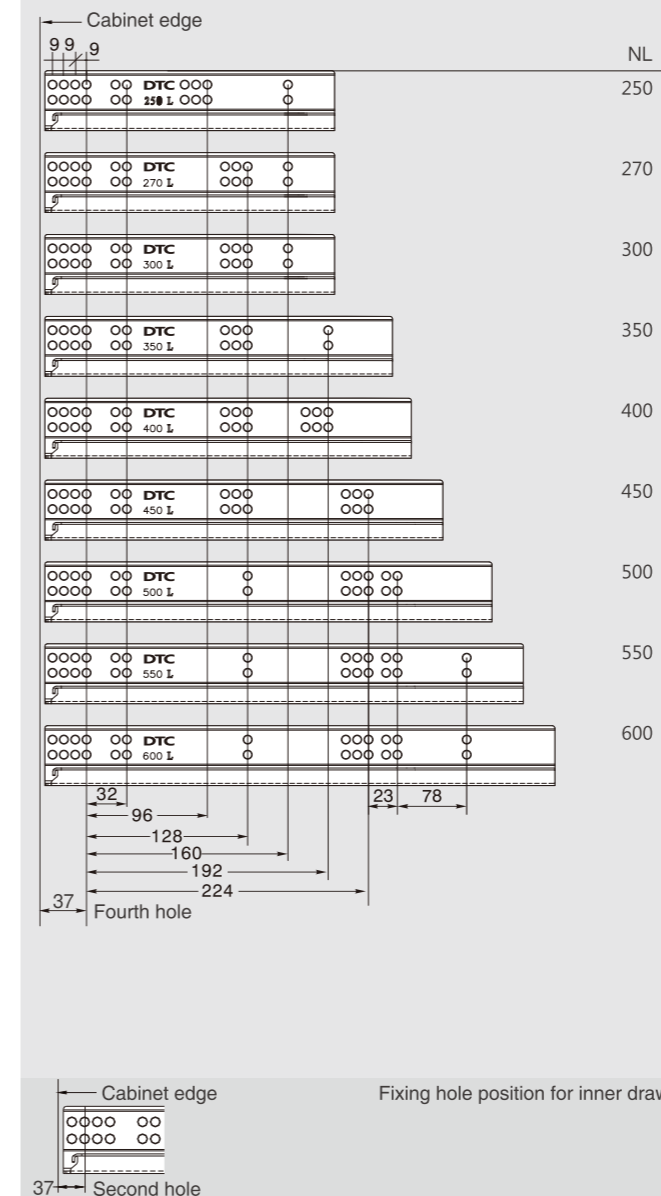
SOFT CLOSE DRAWER/PUSH-OPEN DRAWER

1 Slides (left/right)					
Pre-zinc Steel (F02)					
NL	Soft close item No.	Set/ctn	Push-open item No.	Set/ctn	
250mm	DS10250H	10	DF10250H	6	
270mm	DS10270H	10	DF10270H	6	
300mm	DS10300H	10	DF10300H	6	
350mm	DS10350H	10	DF10350H	6	
400mm	DS10400H	10	DF10400H	6	
450mm	DS10450H	10	DF10450H	6	
500mm	DS10500H	10	DF10500H	6	
550mm	DS10550H	10	DF10550H	6	
600mm	DS10600H	10	DF10600H	6	

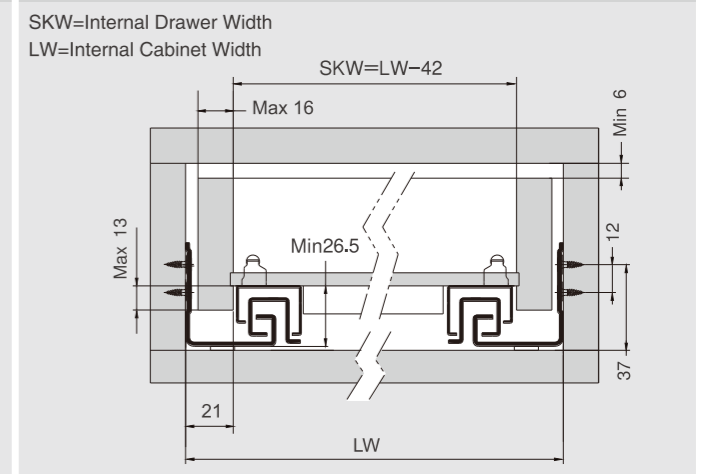
	2D Locking Device (Left/Right)	
	Grey(H11)	
	Item No.	0DSD03-A
	3D Locking Device (Left/Right)	
	Grey(H11)	
	Item No.	0DSD04-A
	Rod for Push-open Synchronization (For cutting to size, 1100mm. Cutting: Internal cabinet width LW-172)	
	Item No.	HT0FH02



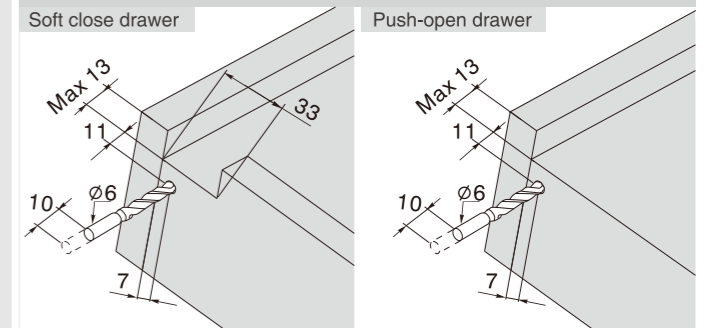
Screw Positions of the Slides(mm)



Installation Dimensions(mm)



Drawer Back Preparation(mm)



Locking Device Installation(mm)

