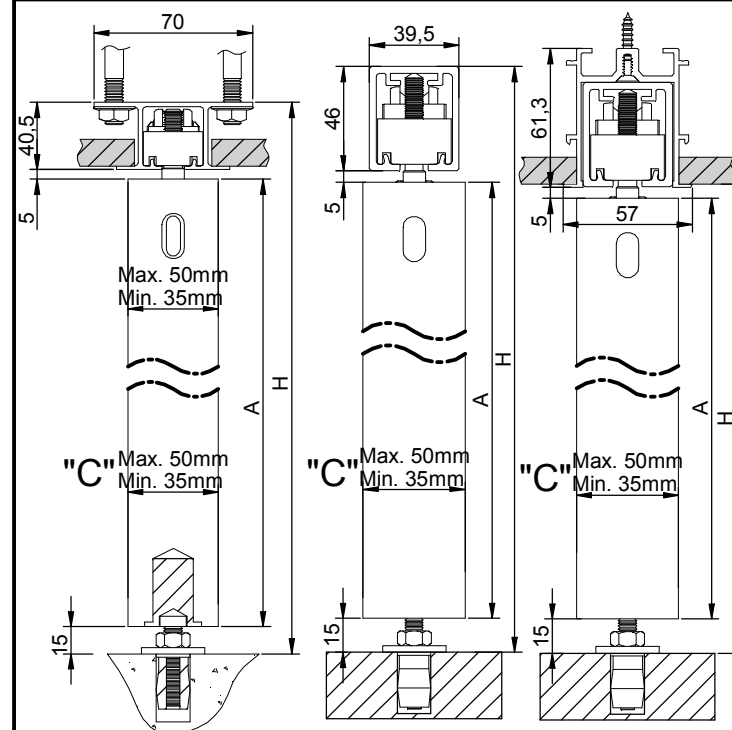


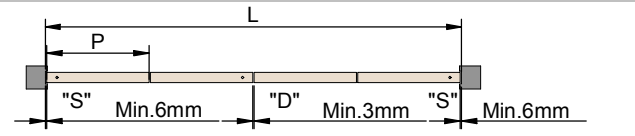
Contenido del Juego / Content of the set / Contenu de l'ensemble

Ref. 0 128 00	(z)		1	(vt)		2
	(y)		1	(t)		1
	(x)		1	(s)		1
	(w)		1	(r)		1
	(v)		12	(p)		2
	(n)		2	(m)		1
	(u)		2			
Ref. 0 128 02	(s)		1	(v)		4
				(p)		1
	(r)		1	(m)		1



A = H - 61 A = H - 66 A = H - 20

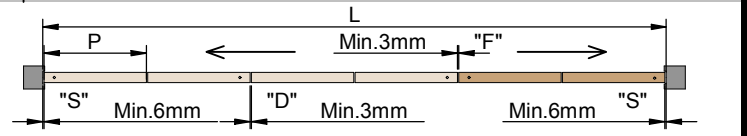
PUERTAS A UN LADO / Doors on one side / Portes d'un côté



$$P = \frac{L - (2xS) - ((N-1) \times D)}{N}$$

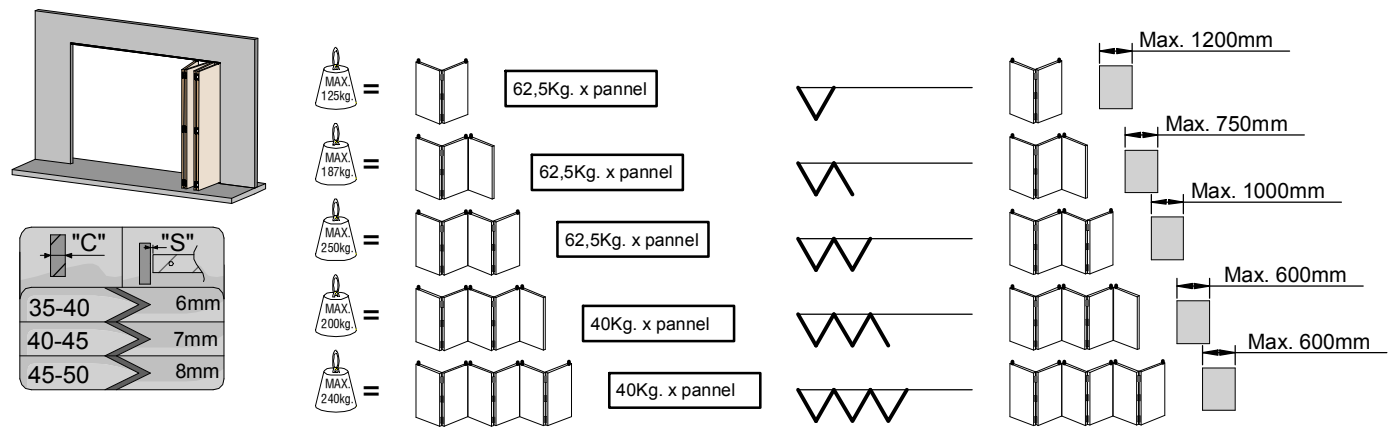
L = Ancho de luz total / Overall width / Lagueur total
P = Ancho de la hoja / Leaf width / Large Feuilles
F = Franquicia central / Central Gap / Franchise central

PUERTAS AMBÓS LADOS / Doors on both sides / Portes des deux côtés



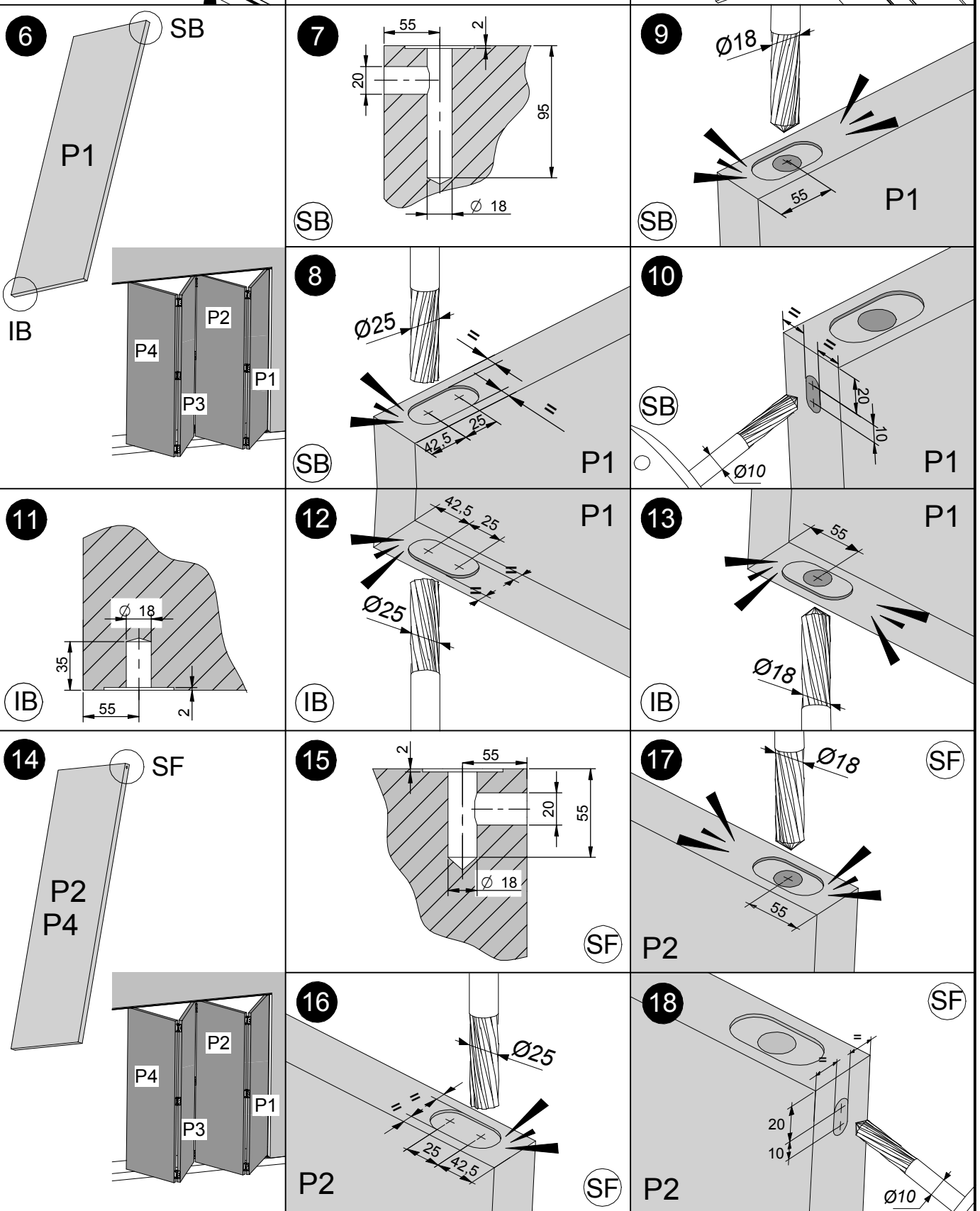
$$P = \frac{L - (2xS) - ((N-2) \times D) - F}{N}$$

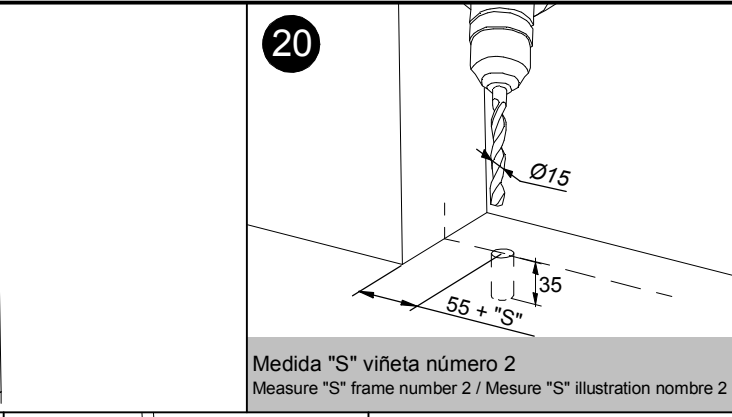
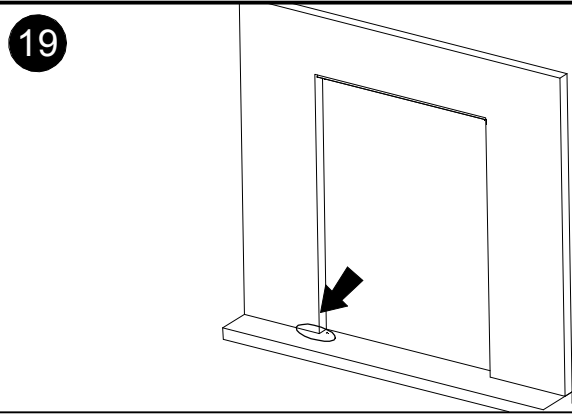
S = Franquicia inicial / Initial Gap / Franchise initiale
D = Separación bisagras / Hinges Separation / Separation charniere
N = Número de puertas / Number of doors / Nombre de portes



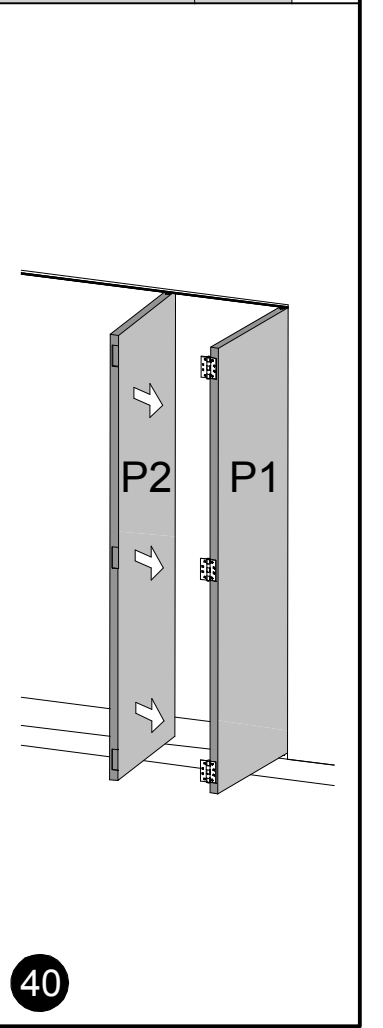
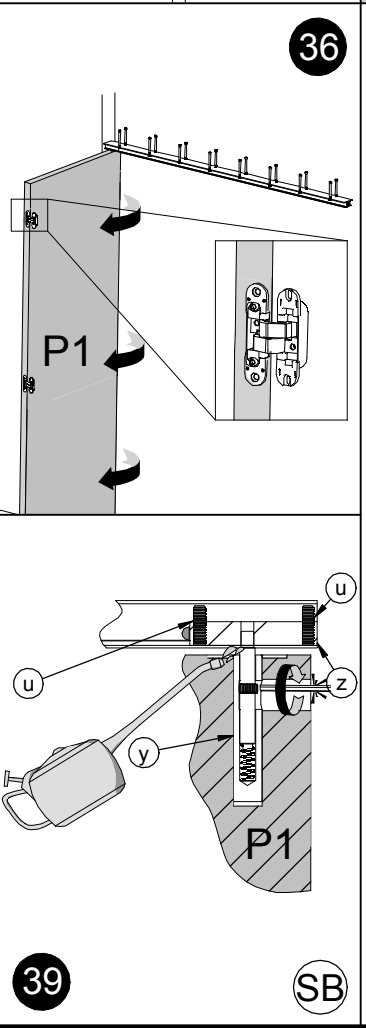
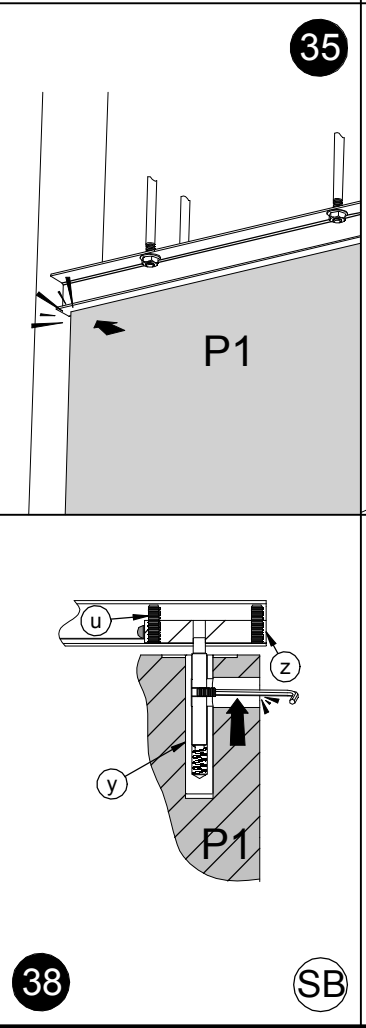
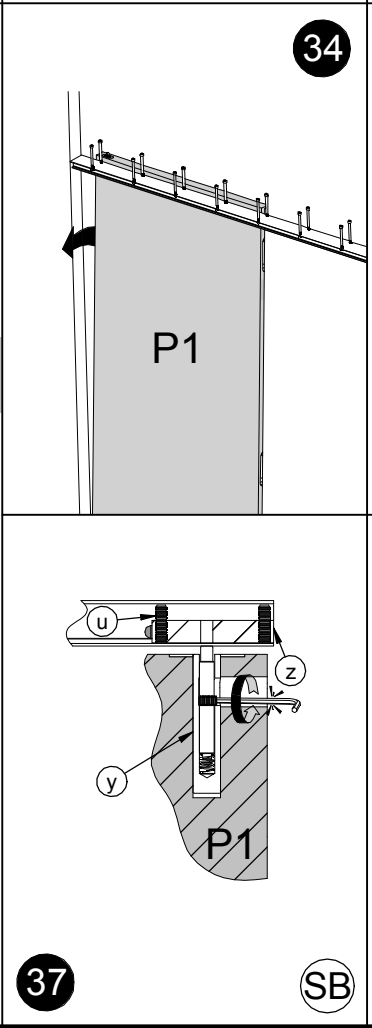
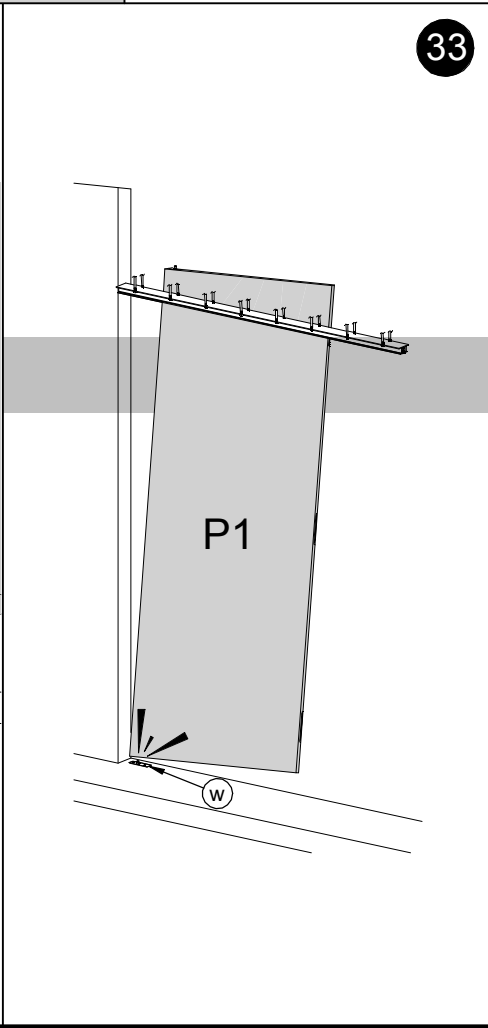
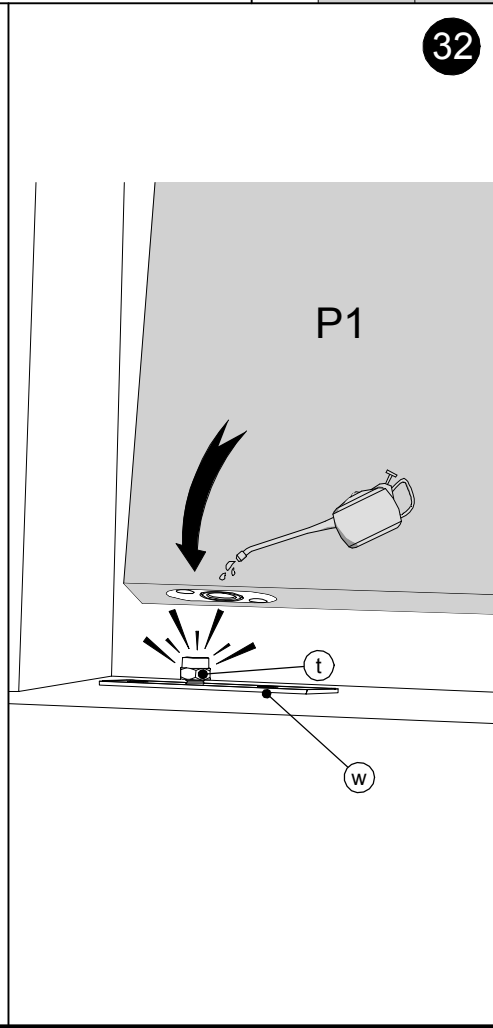
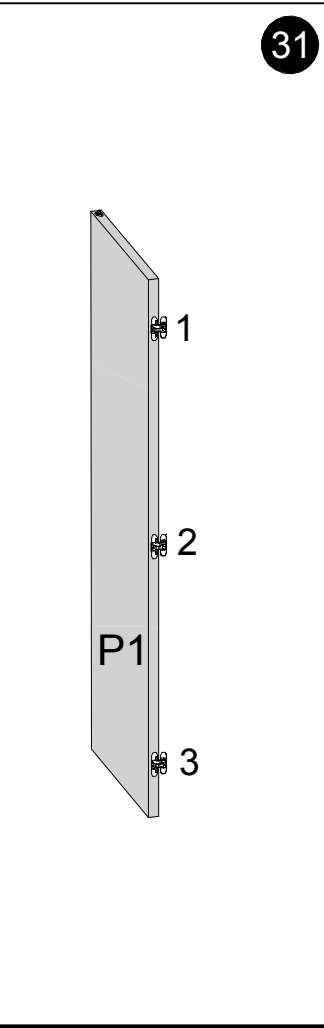
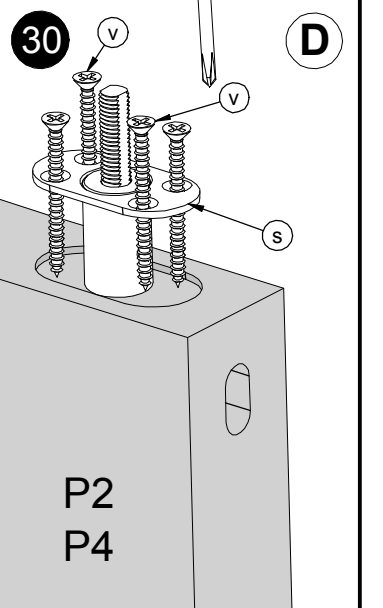
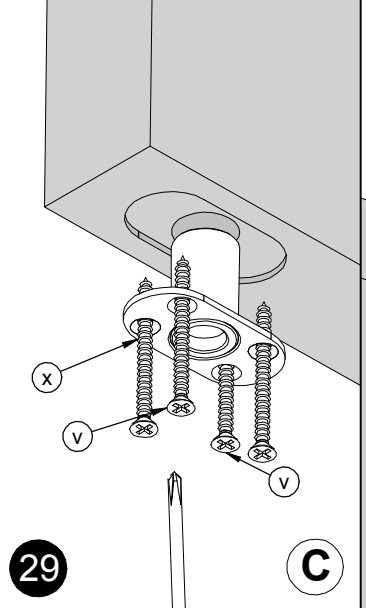
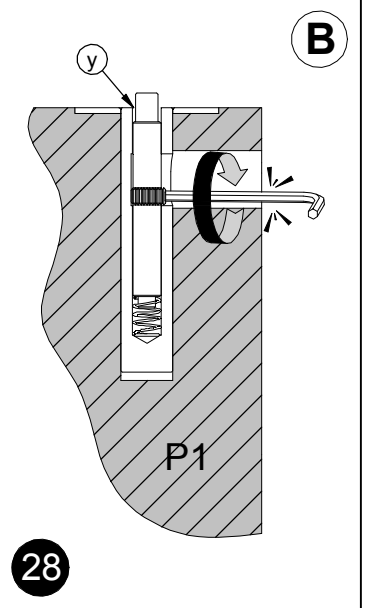
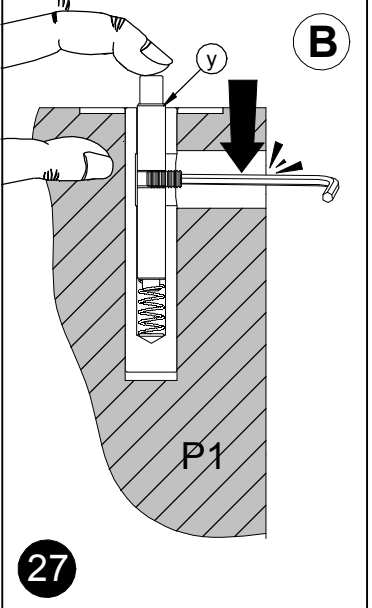
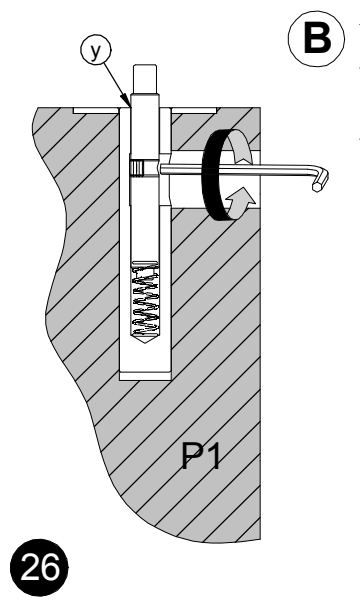
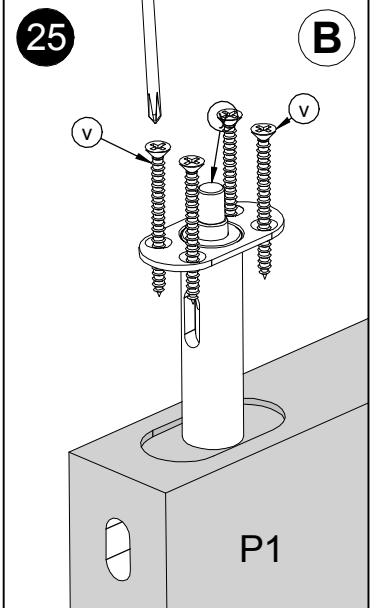
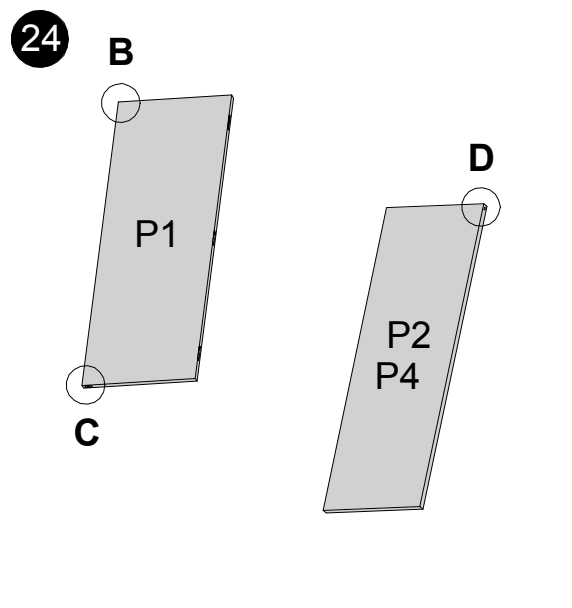
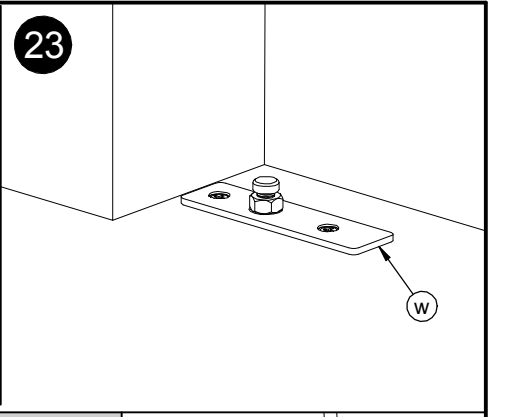
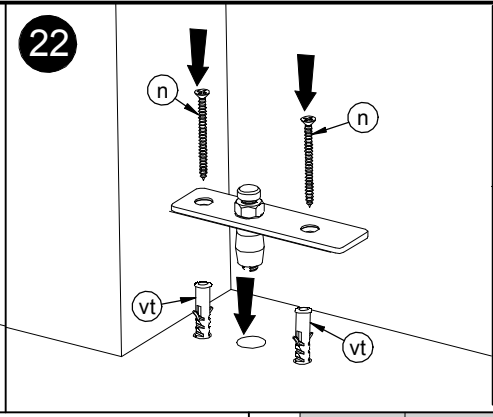
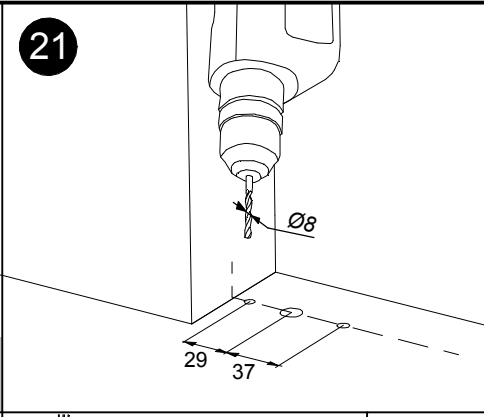
Mecanizados Hoja Batiente
 Swing sheet mechanism / Mécanisés panneau battante

Mecanizado Hoja 2 y Hoja Final
 Mechanization of 2nd sheet & final sheet /
 Mécanisation de panneau 2 et panneau finale





Medida "S" viñeta número 2
 Measure "S" frame number 2 / Mesure "S" illustration nombre 2



31

32

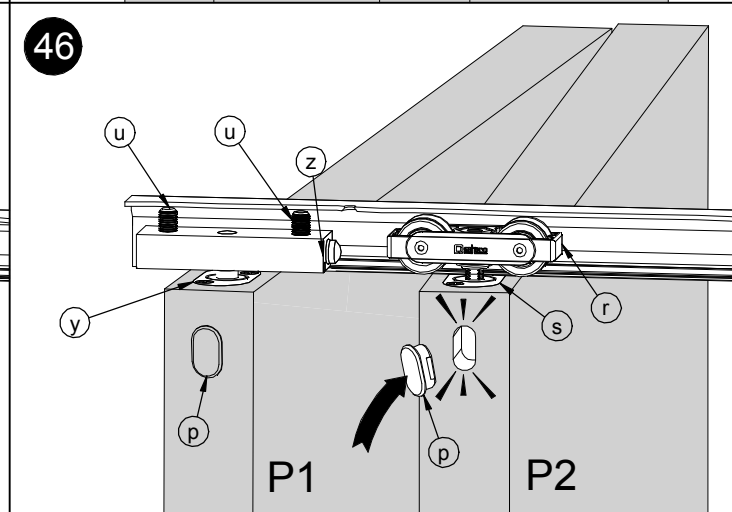
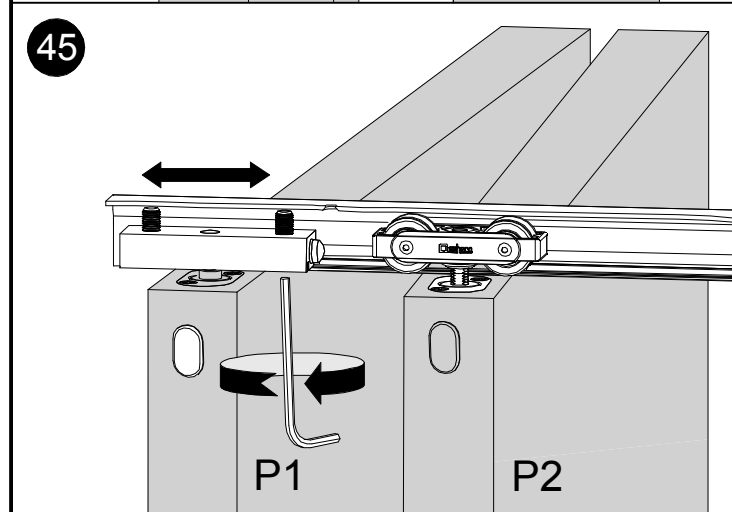
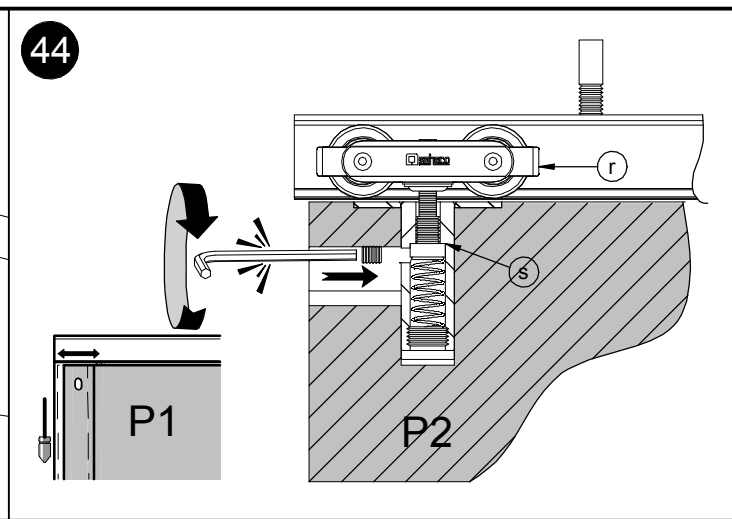
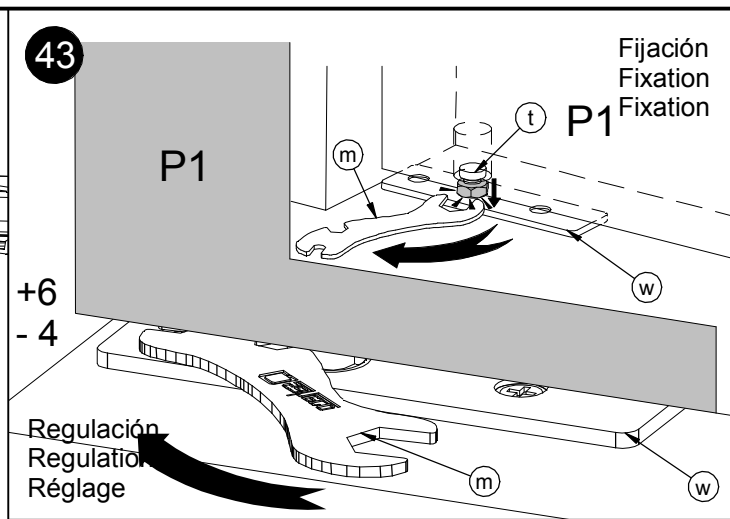
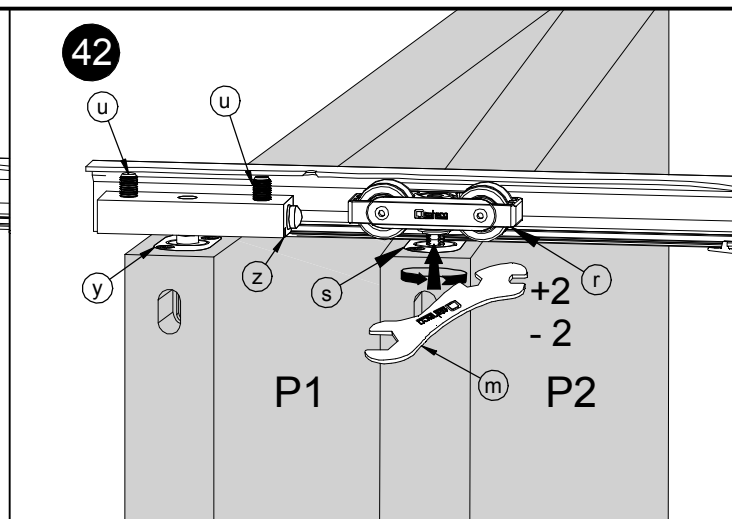
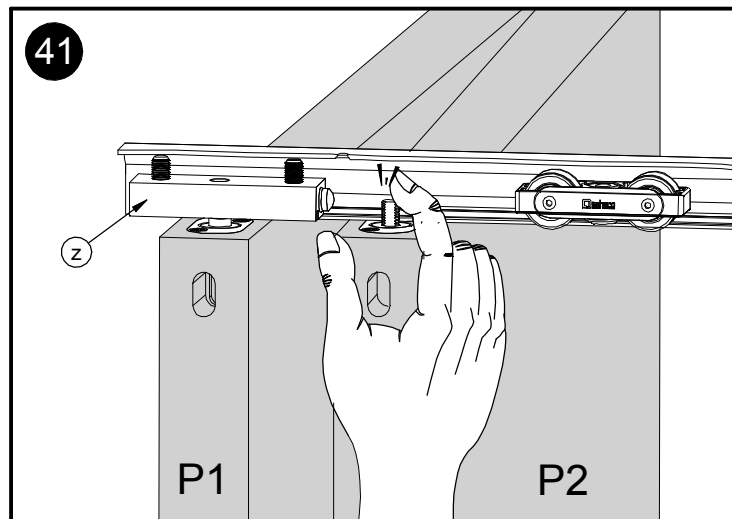
33

34 SB

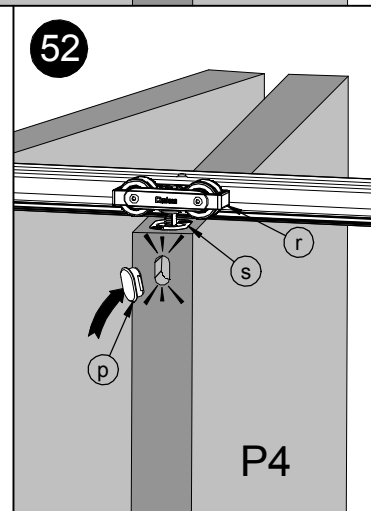
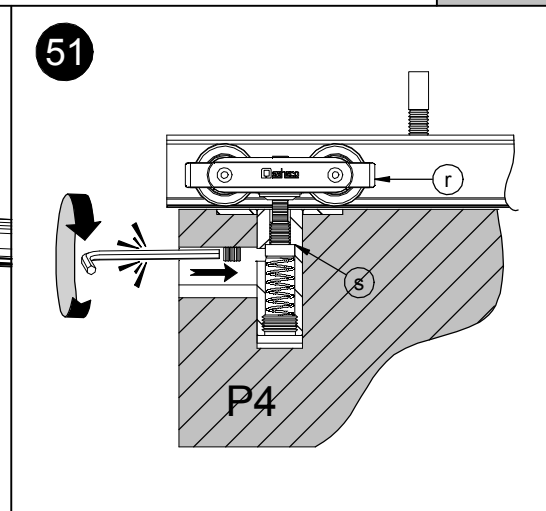
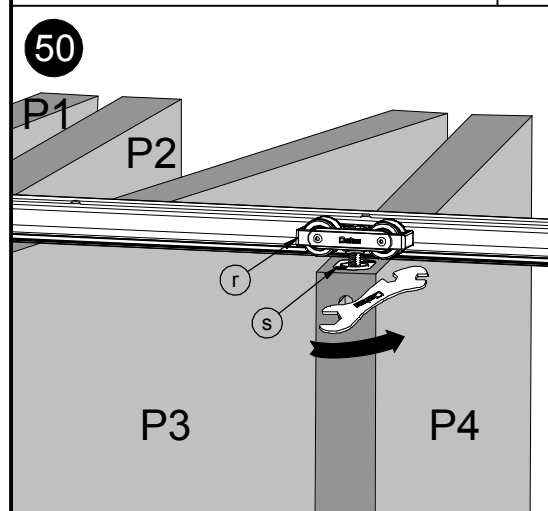
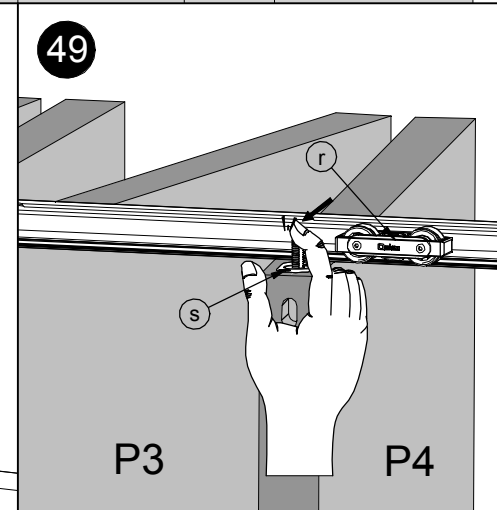
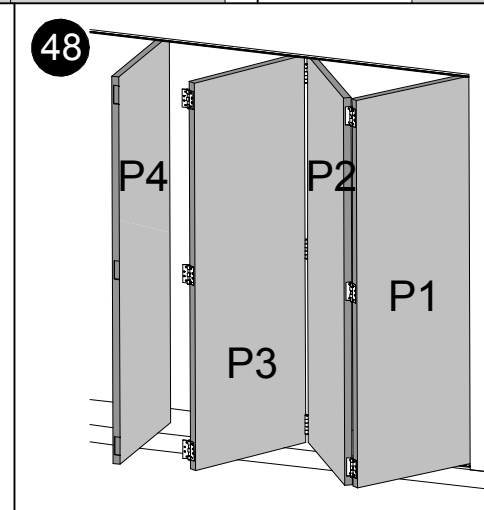
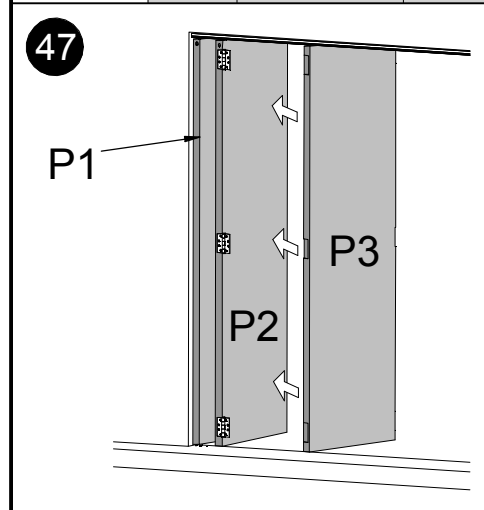
35 SB

36 SB

37 40

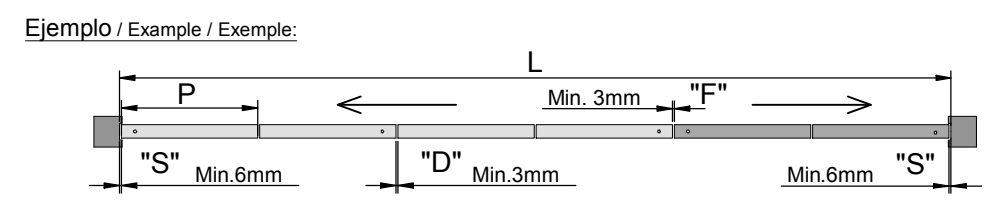


Variantes de Instalación
Installation variants / Variantes de montage



	$P = \frac{L - (2xS) - (2xD)}{3}$	Max. 750mm
	$P = \frac{L - (2xS) - D - F}{3}$	Max. 750mm
	$P = \frac{L - (2xS) - (2xD) - F}{4}$	Max. 750mm
	$P = \frac{L - (2xS) - (3xD) - F}{5}$	Max. 750mm
	$P = \frac{L - (2xS) - (4xD) - F}{6}$	Max. 750mm
	$P = \frac{L - (2xS) - (3xD)}{4}$	Max. 1000mm
	$P = \frac{L - (2xS) - (3xD) - F}{5}$	Max. 1000mm
	$P = \frac{L - (2xS) - (4xD) - F}{6}$	Max. 1000mm
	$P = \frac{L - (2xS) - (5xD) - F}{7}$	Max. 1000mm
	$P = \frac{L - (2xS) - (6xD) - F}{8}$	Max. 1000mm
	$P = \frac{L - (2xS) - (8xD) - F}{10}$	Max. 600mm
	$P = \frac{L - (2xS) - (12xD) - F}{12}$	Max. 600mm

L = Ancho de luz total / Overall width / Lagueur total
P = Ancho de la hoja / Leaf width / Large Feuilles
F = Franquicia central / Central Gap / Franchise central
S = Franquicia inicial / Initial Gap / Franchise initiale
D = Separación bisagras / Hinges Separation / Separation charnières
N = Número de puertas / Number of doors / Nombre de portes



Formularios para Sistemas
Systems formularys / Formulaires pour systèmes