



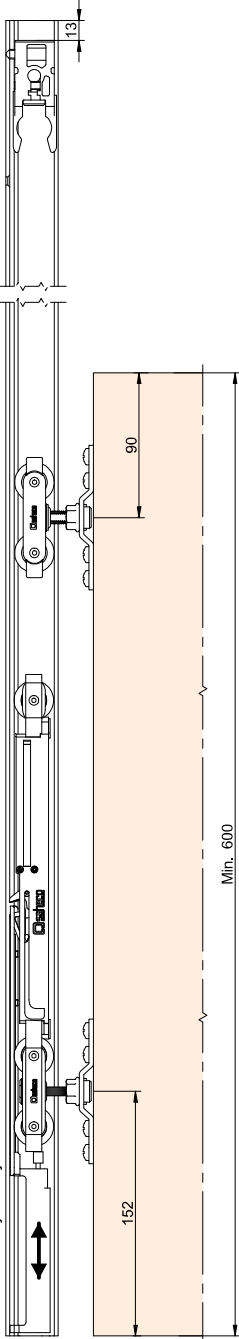
CODE: 098191

| | | | | | | |
|---|---|---|---|---|---|---|
| a | b | c | d | e | f | g |
| 1 | 2 | 2 | 1 | 1 | 4 | 1 |
| | | | | | | |

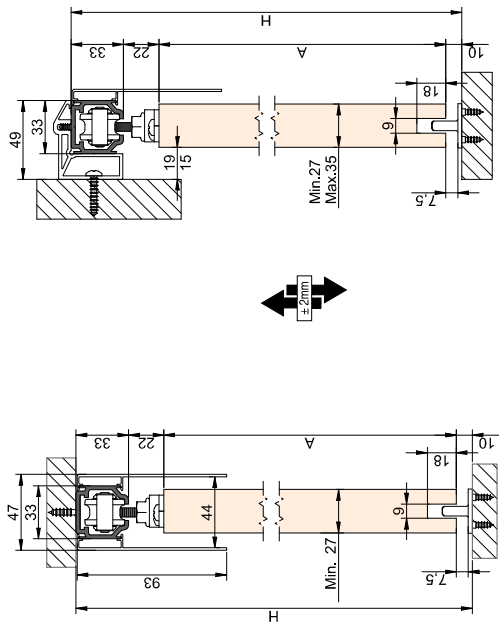
| | | | |
|---|---|---|---|
| h | i | j | k |
| 2 | 8 | 1 | 1 |
| | | | |

| | | | |
|---|---|---|---|
| 1 | 1 | 1 | 1 |
| | | | |

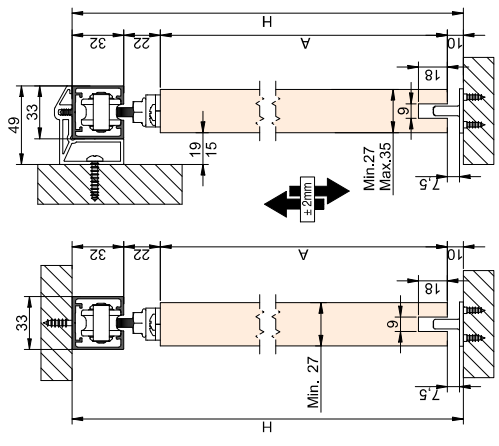
AJUSTAR / Adjust / Ajuster



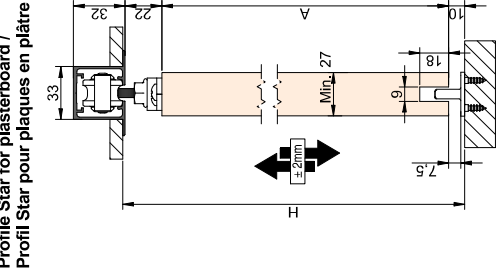
PERFIL EXCELLENCE / Profile Excellence / Profil Excellence



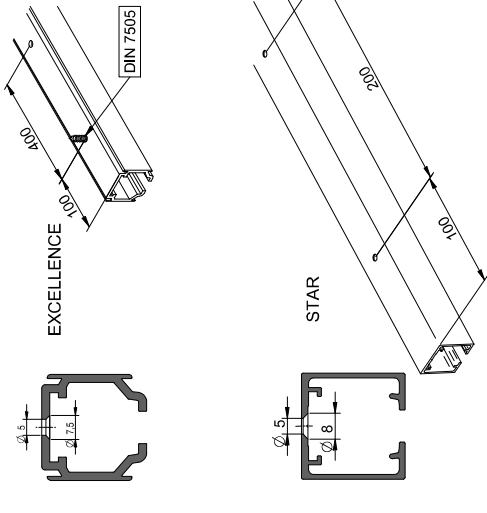
PERFIL STAR / Profile Star / Profil Star



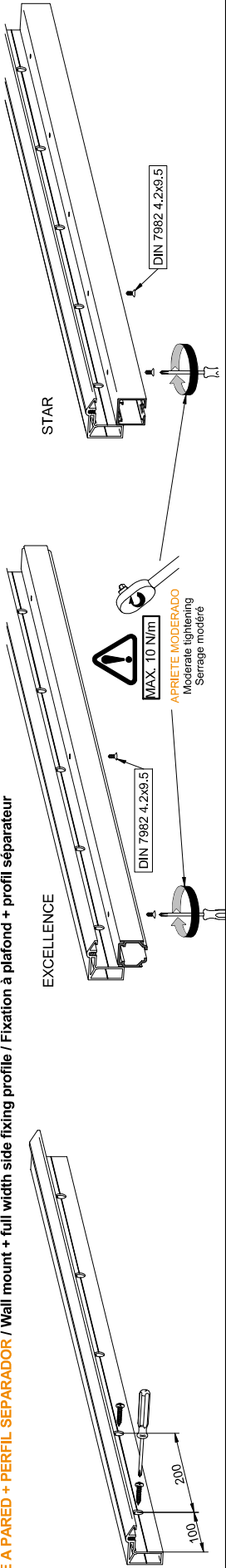
PERFIL STAR FALSO TECHO / Profile Star for plasterboard / Profil Star pour plaques en plâtre



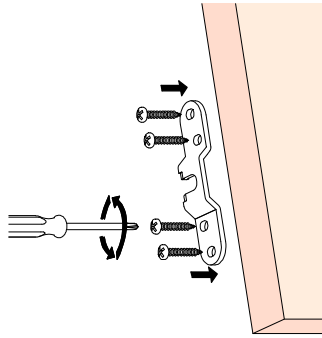
1 MONTAJE A TECHO / Ceiling mount / Fixation à plafond



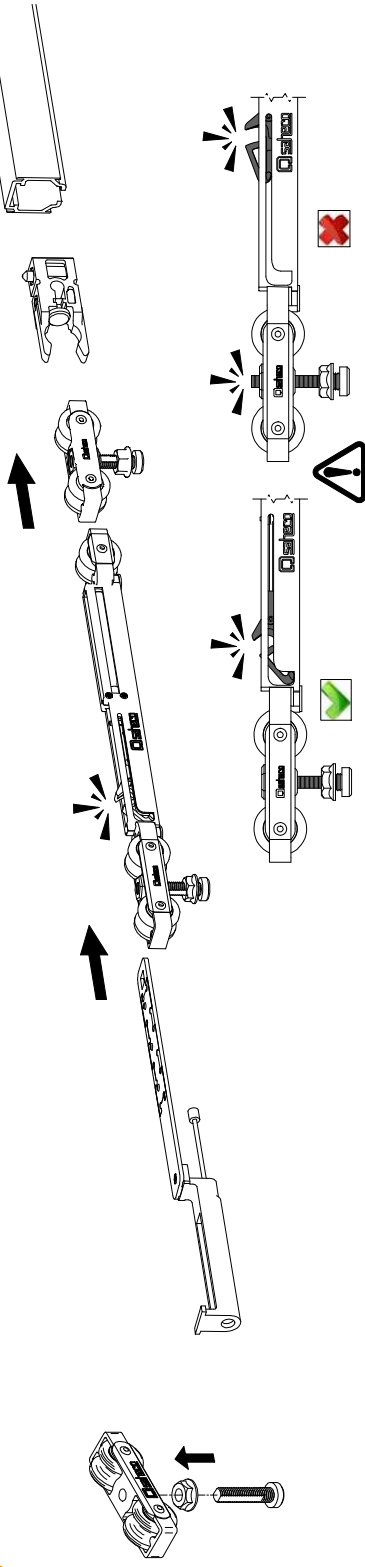
2 MONTAJE A PARED + PERFIL SEPARADOR / Wall mount + full width side fixing profile / Fixation à plafond + profil séparateur



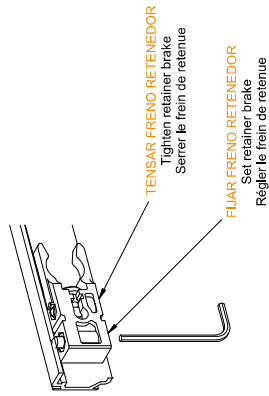
3 MONTAJE COMPONENTES /
Assembly components /
Composant d'assemblage



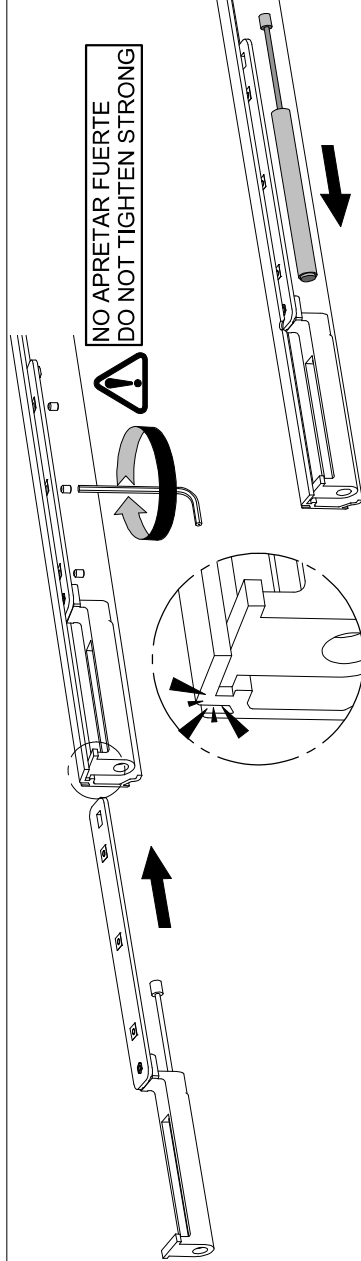
4



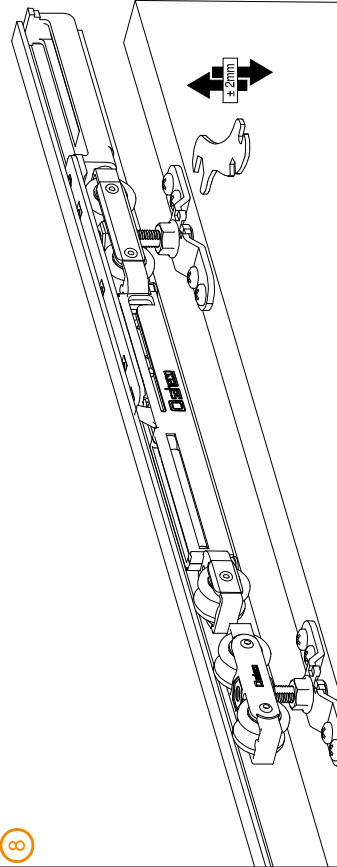
5



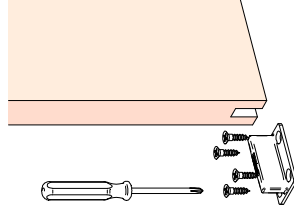
7



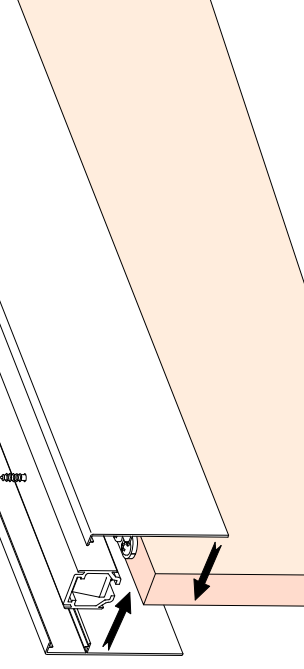
8



9



10 MONTAJE TAPETA / Pelmet cover mount / Bandeau à clipser sur rail



11 TAPETAS LATERALES / Cover caps / Capuchons finals

