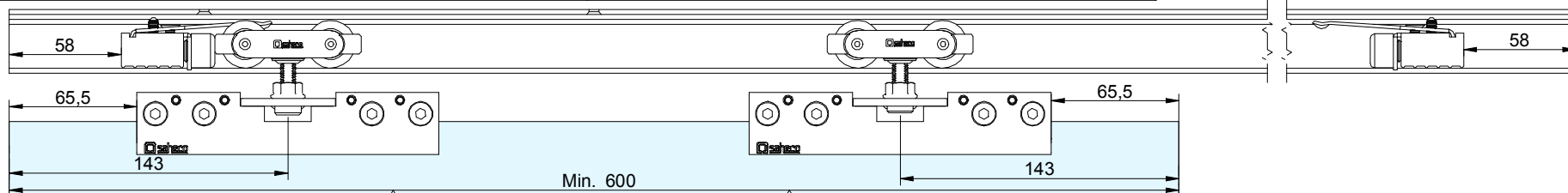
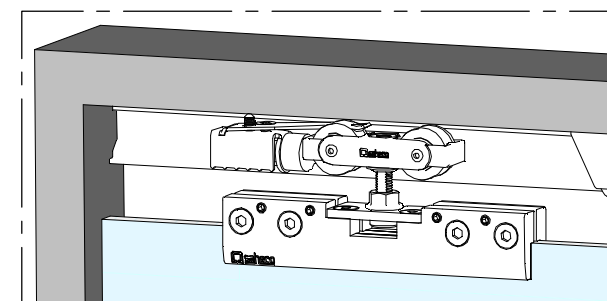
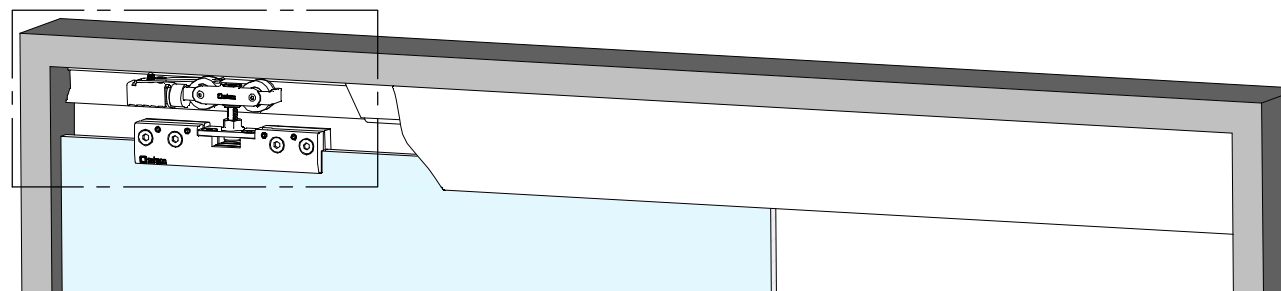
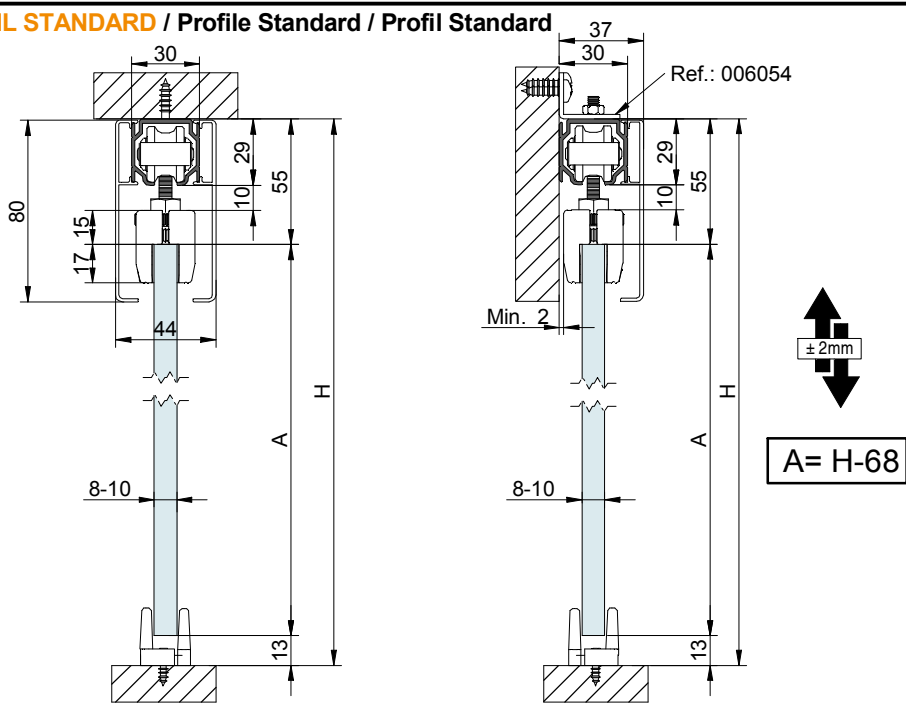


CODE: 008608 / 006608

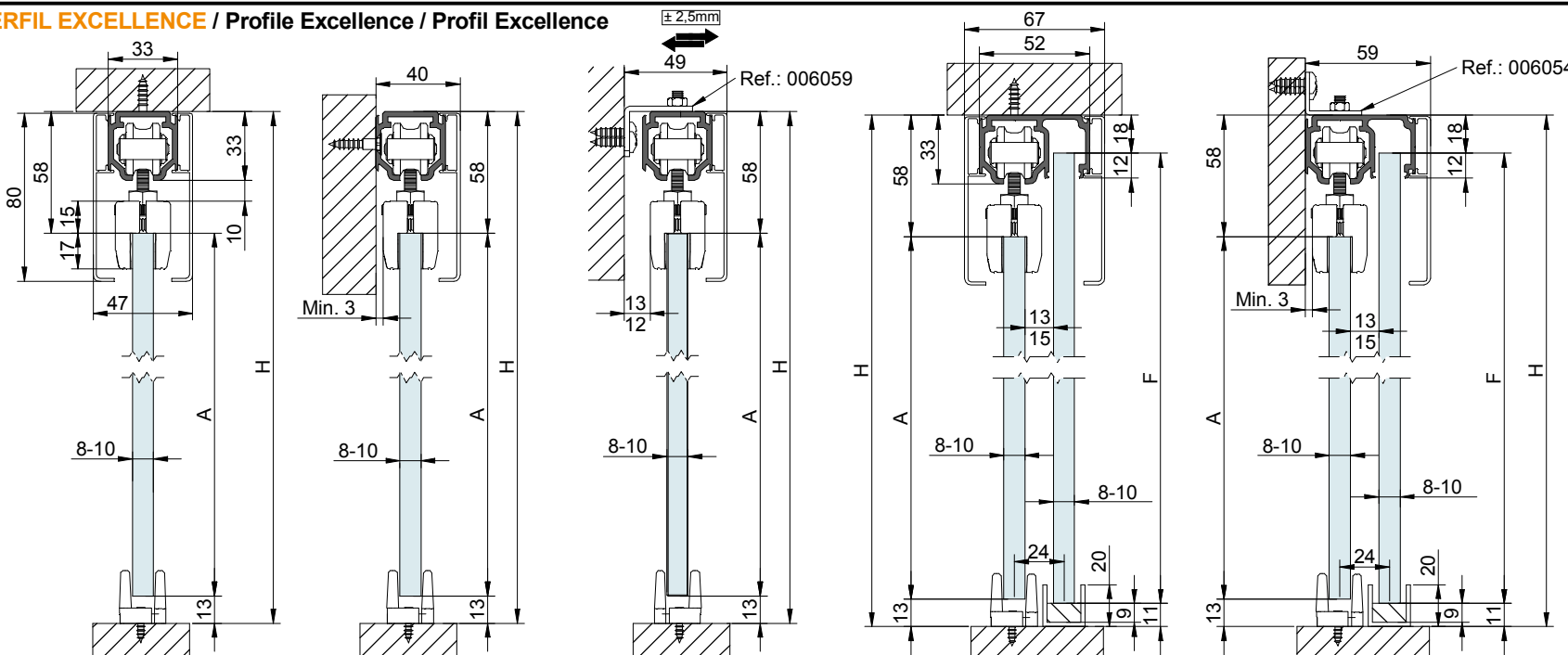
a		2	d		1
b		2	e		2
c		2	f		1



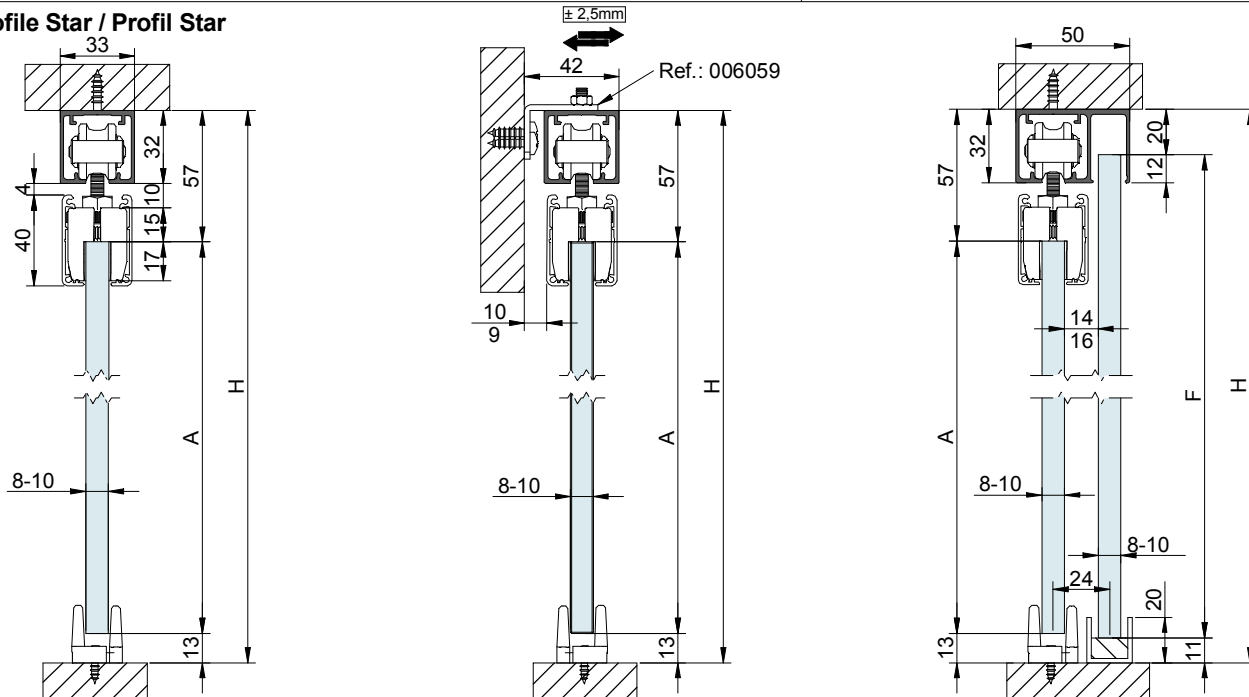
**PERFIL STANDARD / Profile Standard / Profil Standard**



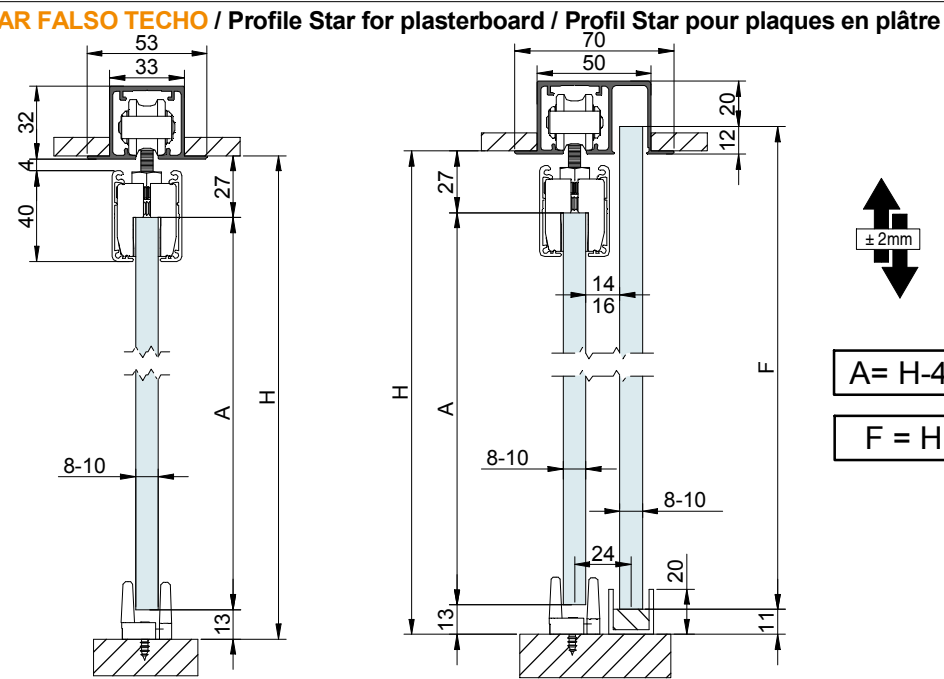
**PERFIL EXCELLENCE / Profile Excellence / Profil Excellence**



**PERFIL STAR / Profile Star / Profil Star**



**PERFIL STAR FALSO TECHO / Profile Star for plasterboard / Profil Star pour plaques en plâtre**



**1 MONTAJE A TECHO / Ceiling mount / Fixation à plafond**

**STANDARD**  

 STANDARD  
 5  
 7.5  
 200  
 DIN 7505

**EXCELLENCE**  

 EXCELLENCE  
 5  
 7.5  
 400  
 DIN 7505

**STAR**  

 STAR  
 5  
 8  
 200

**2 MONTAJE A PARED / Wall mount / Fixation à plafond**

**STANDARD**  

 STANDARD  
 Ref.: 006054

**EXCELLENCE**  

 EXCELLENCE  
 Ref.: 006059

**STAR**  

 STAR  
 Ref.: 006059

**3 MONTAJE COMPONENTES / Assembly components / Composant d'assemblage**

**4**

**TENSAR FRENO RETENEDOR**  
Tighten retainer brake  
Serrer le frein de retenue

**FIJAR FRENO RETENEDOR**  
Set retainer brake  
Régler le frein de retenue

**5 MONTAJE PINZAS / Calmps assembly / Assemblages pinces**

65.5  
143

1  
2.5  
8  
10

**6**

**PRIMER PASO: AJUSTAR TORNILLOS AJUSTE GROSOR VIDRIO**  
FIRST STEP: ADJUST GLASS THICKNESS SCREWS

**SEGUNDO PASO: APRETAR TORNILLOS APRIETE PINZA**  
SECOND STEP: STRENGTH CLAMP THIGTHEN SCREWS

13 N/m

**7**

**TERCER PASO: APRETAR TORNILLOS AJUSTE GROSOR VIDRIO**  
THIRD STEP: STRENGTH THE GLASS THICKNESS SCREWS

90°

±2mm

**MONTAJE GUIADOR / Guide mount / Assemblage guide**

REF.: 00 40 57

**8 MONTAJE TAPETA**  
Pelmet cover mount  
Bandeau à clipser sur rail

**9 TAPETAS LATERALES / Cover caps / Capuchons finals**

CODE: 008074

**10 TAPETA EASY LARGE / EASY LARGE pelmet cover / Cache-pince EASY LARGE**