



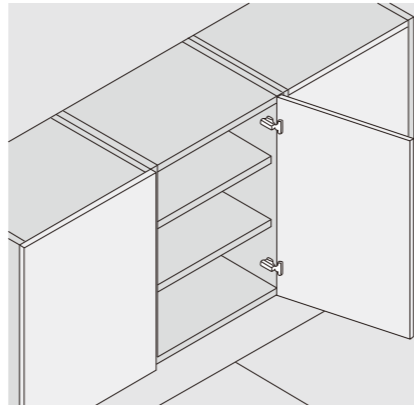
PRODUCT



DESCRIPTION

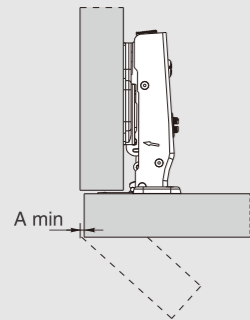
- Opening angle: 110°
- Depth of hinge cup: 11.5mm
- Diameter of hinge cup: 35mm
- Range of door thickness: 16-26mm
- Possible drilling distances on the door(K): 3-6 mm

APPLICATION



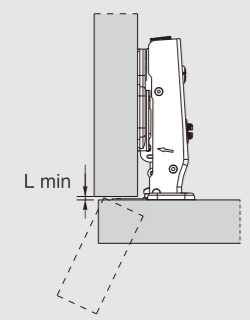
PLANNING

Space needed to open the door



	T=	16	17	18	19	20	21	22	23	24	25	26
K=3	A=	0.7	0.9	1.2	1.5	1.8	2.2	2.6	3.2	3.8	4.5	5.3
K=4	A=	0.7	0.9	1.1	1.4	1.8	2.1	2.5	3.0	3.5	4.4	4.9
K=5	A=	0.6	0.9	1.1	1.4	1.7	2.0	2.4	2.9	3.4	3.9	4.6
K=6	A=	0.6	0.8	1.1	1.3	1.6	2.0	2.4	2.8	3.2	3.8	4.4

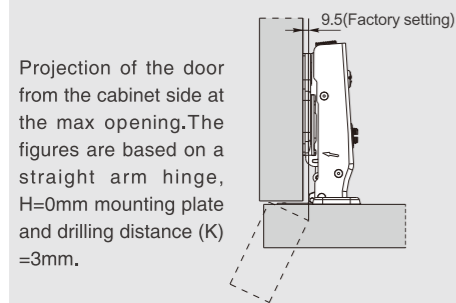
Space needed to open the door



	T=	16	17	18	19	20	21	22	23	24	25	26
K=3	L=	0.0	0.0	0.0	0.0	0.0	0.0	0.0	0.0	0.0	0.0	0.1
K=4	L=	0.0	0.0	0.0	0.0	0.0	0.0	0.2	0.4	0.7	0.9	1.1
K=5	L=	0.0	0.2	0.4	0.6	0.8	1.0	1.2	1.4	1.6	1.8	2.0
K=6	L=	0.9	1.2	1.4	1.6	1.8	2.0	2.2	2.4	2.6	2.8	3.0

- The above values are calculated on the assumption that the doors have square edges.
- They are reduced if the doors have radiused edges.

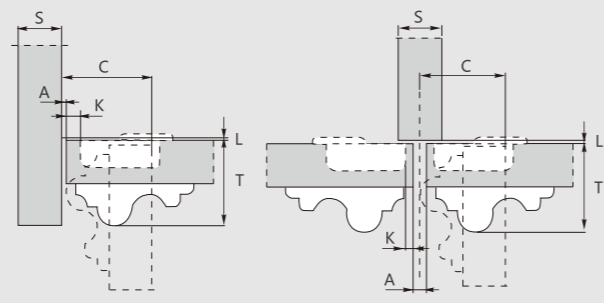
Projection of the door



"C" value

$$C=20+K+A$$

With this formula you can obtain the max thickness of the moulded door that can be opened without touching adjacent carcass sides, doors or walls, whilst bearing in mind the above L-K-T values.



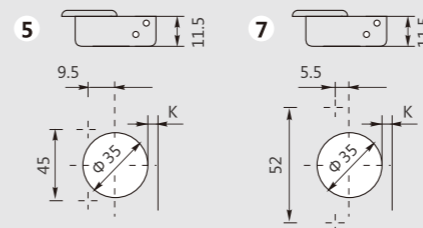
ORDER INFORMATION



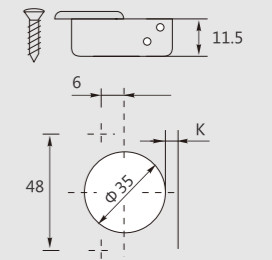
Φ 35mm Options of screws and dowels:

M10 dowel Dowel No: M	Expandable dowel Dowel No: K
M8 dowel Dowel No: N	Expandable dowel Dowel No: K0
Euro screw Dowel No: B	Quick dowel Dowel No: T0

Φ 35mm Hinge cup types



Use these formulas to determine the type of hinge arm, the drilling distance "K" and the height of the mounting plate "H" for each door application.



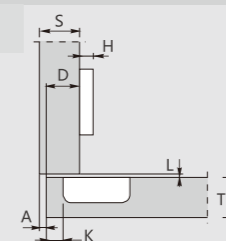
Nickel plated(A01) Specially treated(A11)

C80 Series 110° snap-on cam-adjustable soft-close hinges

Full overlay C=0



H=12+K-(D)
(Factory setting)

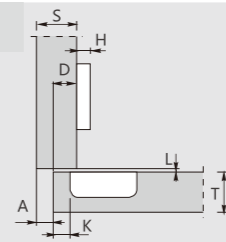


	Item No.	Pcs/ctn
Soft-close	C80A676F	200
Sprung	C80A676	200

Half overlay C=9



H=3+K-(D)
(Factory setting)

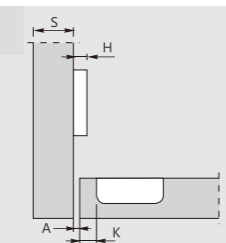


	Item No.	Pcs/ctn
Soft-close	C80B676F	200
Sprung	C80B676	200

Inset C=18



H=-6+K+(A)
(Factory setting)



	Item No.	Pcs/ctn
Soft-close	C80C676F	200
Sprung	C80C676	200