

PIVOT-PRO

C80 Series $\Phi 40$ 95° Snap-on Cam-adjustable Soft-close Hinges for Thick Door



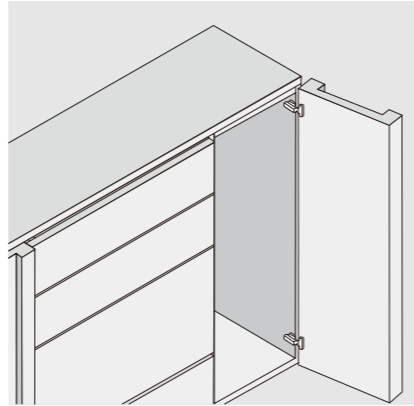
PRODUCT



DESCRIPTION

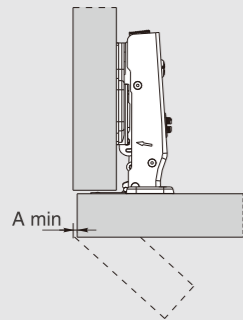
- Opening angle: 95°
- Depth of hinge cup: 13mm
- Diameter of hinge cup: 40mm
- Range of door thickness: 20-40mm
- Possible drilling distances on the door(K): 3-15 mm

APPLICATION



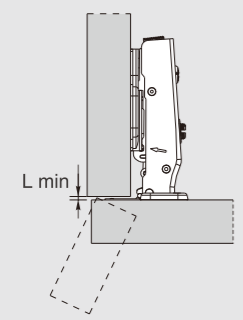
PLANNING

Space needed to open the door



	T=	20	21	22	23	24	25	26	27	28	29	30	31	32	33 - 40
K=3	A=	0.3	0.5	0.6	0.8	1.0	1.2	1.4	1.6	1.9	2.2	2.5	2.8	3.2	3.5 - 9.7
K=4	A=	0.3	0.5	0.6	0.8	1.0	1.2	1.4	1.6	1.9	2.1	2.4	2.8	3.1	3.4 - 9.1
K=5	A=	0.3	0.5	0.6	0.8	0.9	1.1	1.4	1.6	1.8	2.1	2.4	2.7	3.0	3.4 - 8.5
K=6	A=	0.3	0.5	0.6	0.8	0.9	1.1	1.3	1.6	1.8	2.1	2.3	2.7	3.0	3.3 - 7.9
K=7	A=	0.3	0.4	0.6	0.7	0.9	1.1	1.3	1.5	1.8	2.0	2.3	2.6	2.9	3.3 - 7.3
K=8	A=	0.3	0.4	0.6	0.7	0.9	1.1	1.3	1.5	1.7	2.0	2.3	2.6	2.9	3.2 - 6.9
		-	-	-	-	-	-	-	-	-	-	-	-	-	- -
K=15	A=	0.3	0.4	0.5	0.6	0.8	1.0	1.1	1.3	1.6	1.8	2.0	2.3	2.5	2.8 - 5.4

Space needed to open the door

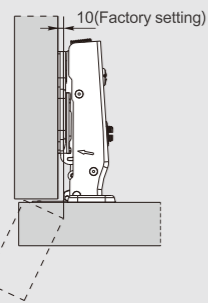


	T=	20	21	22	23	24	25	26	27	28	29	30	31	32	33 - 40
K=3-9	L=	0.0	0.0	0.0	0.0	0.0	0.0	0.0	0.0	0.0	0.0	0.0	0.0	0.0	0.0 - 0.0
K=10	L=	0.0	0.0	0.0	0.0	0.0	0.0	0.0	0.0	0.0	0.0	0.1	0.1	0.2	0.3 - 0.8
K=11	L=	0.4	0.5	0.6	0.7	0.7	0.8	0.9	0.9	1.0	1.1	1.1	1.2	1.3	1.4 - 1.8
K=12	L=	1.4	1.5	1.6	1.7	1.7	1.8	1.9	1.9	2.0	2.1	2.1	2.2	2.3	2.4 - 2.8
K=13	L=	2.4	2.5	2.6	2.7	2.7	2.8	2.9	2.9	3.0	3.1	3.1	3.2	3.3	3.3 - 3.8
K=14	L=	3.4	3.5	3.6	3.6	3.7	3.8	3.9	3.9	4.0	4.1	4.1	4.2	4.3	4.3 - 4.8
K=15	L=	4.4	4.5	4.6	4.6	4.7	4.8	4.9	4.9	5.0	5.1	5.1	5.2	5.3	5.3 - 5.8

- The above values are calculated on the assumption that the doors have square edges.
- They are reduced if the doors have radiused edges.

Projection of the door

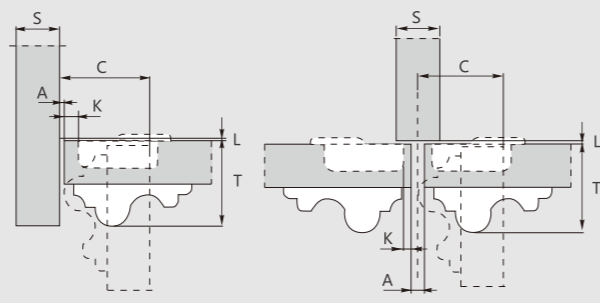
Projection of the door from the cabinet side at the max opening. The figures are based on a straight arm hinge, H=0mm mounting plate and drilling distance (K) =3mm.



"C" value

$$C = 28 + K + A$$

With this formula you can obtain the max thickness of the moulded door that can be opened without touching adjacent carcass sides, doors or walls, whilst bearing in mind the above L-K-T values.

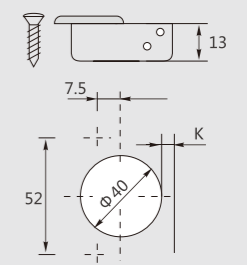


ORDER INFORMATION



$\Phi 35$ mm Options of screws and dowels:

M10 dowel Dowel No: M	Expandable dowel Dowel No: K
M8 dowel Dowel No: N	Expandable dowel Dowel No: K0
Euro screw Dowel No: B	Quick dowel Dowel No: T0



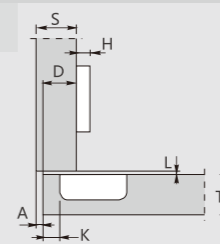
Nickel plated(A01)

C80 Series $\Phi 40$ 95° snap-on cam-adjustable soft-close hinges for thick door

Full overlay C=0



H=18+K-(D)
(Factory setting)

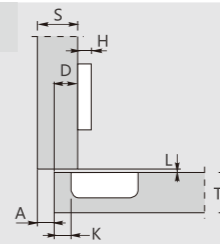


	Item No.	Pcs/ctn
Soft-close	C80A697F	200
Sprung	C80A697	200

Half overlay C=9



H=9+K-(D)
(Factory setting)

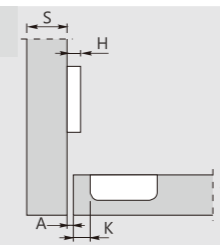


	Item No.	Pcs/ctn
Soft-close	C80B697F	200
Sprung	C80B697	200

Inset C=24



H=-6+K+(A)
(Factory setting)



	Item No.	Pcs/ctn
Soft-close	C80C697F	200
Sprung	C80C697	200