

# PIVOT-PRO

## C80 Series $\Phi$ 35mm Soft-close Angled Hinges



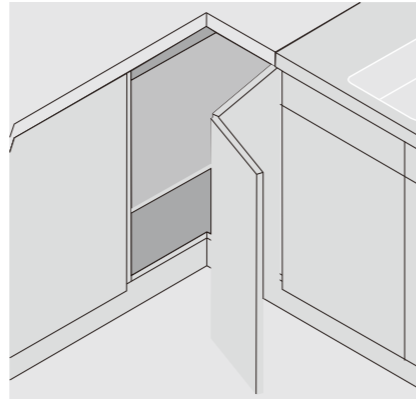
### PRODUCT



### DESCRIPTION

- Opening angle: 110°
- Depth of hinge cup: 11.5mm
- Diameter of hinge cup: 35mm
- Range of door thickness: 16-26mm
- Possible drilling distances on the door(K): 3-6 mm

### APPLICATION



### ORDER INFORMATION

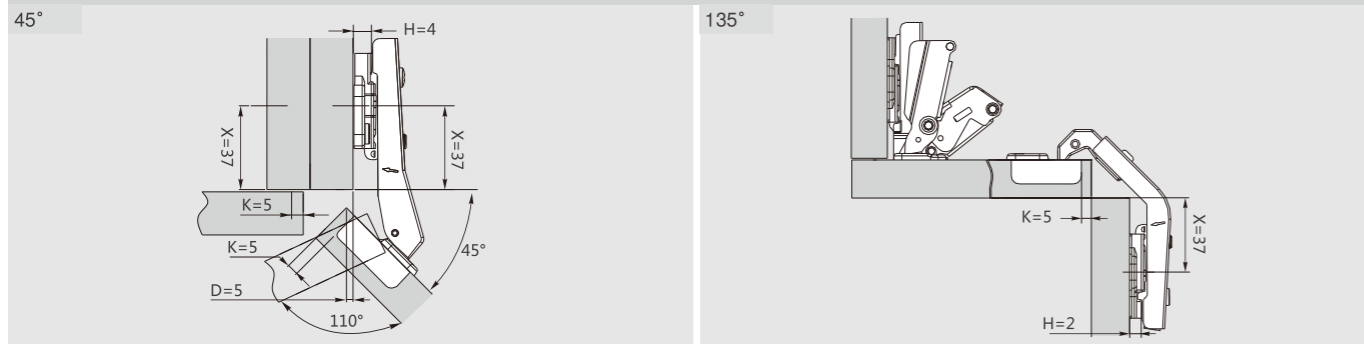


#### $\Phi$ 35mm Options of screws and dowels:

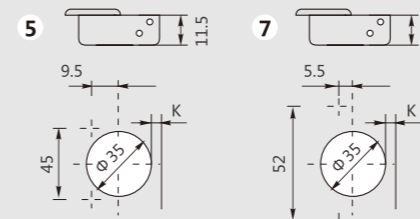
M10 dowel Dowel No: <b>M</b>	Expandable dowel Dowel No: <b>K</b>
M8 dowel Dowel No: <b>N</b>	Expandable dowel Dowel No: <b>K0</b>
Euro screw Dowel No: <b>B</b>	Quick dowel Dowel No: <b>T0</b>

### $\Phi$ 35MM CORNER DOOR, BI-FOLD DOOR, -45°~45° ANGLED HINGE APPLICATIONS

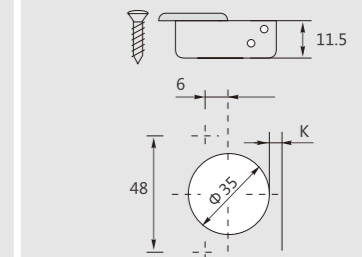
#### Kitchen corner door applications



#### $\Phi$ 35mm Hinge cup types

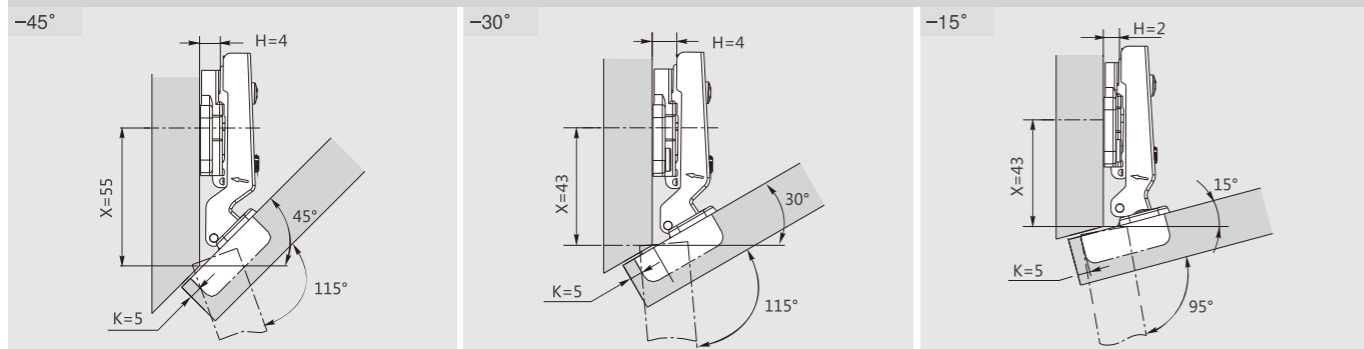


The solution of assembly problems where doors are mounted at a positive or negative angle requires the verification of drilling distances by a practical trial. Please do not hesitate to consult our technical support department for assistance.

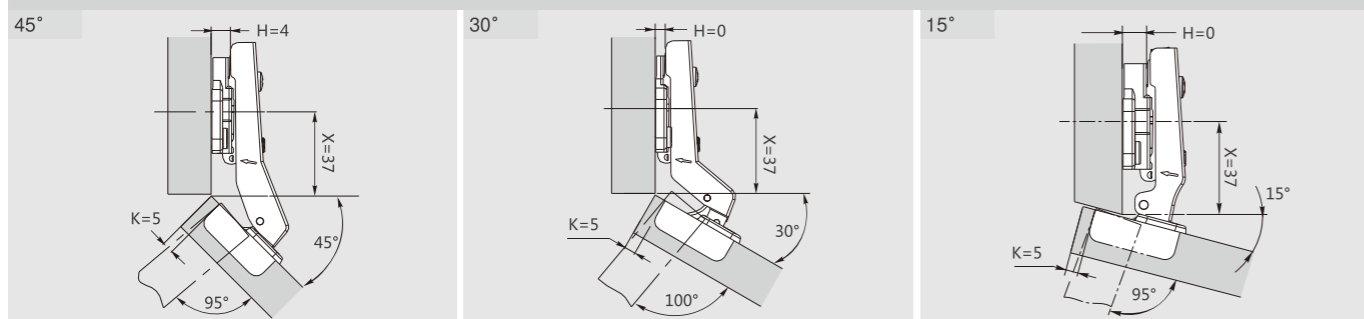


Nickel plated(A01)

#### Negative angled hinge applications



#### Positive angled hinge applications

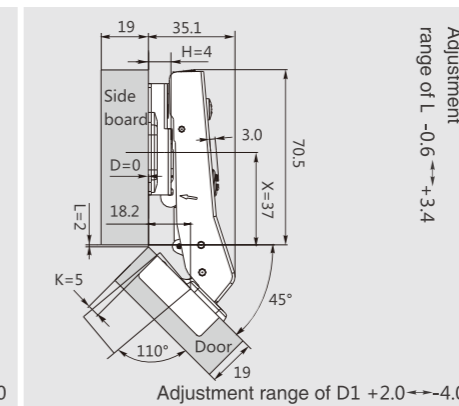
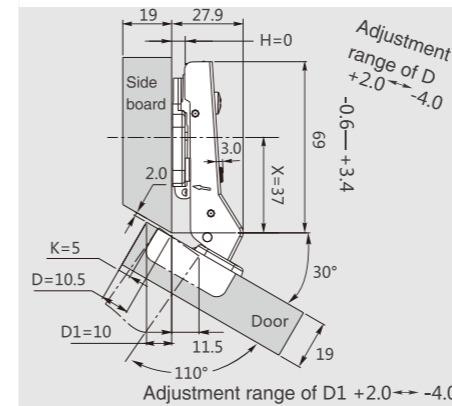


#### C80 series snap-on soft close angled hinge 110° (two way, cam-adjustable)

##### Overlay 30°



##### Small Overlay 45°



	Item No.	Pcs/ctn	Item No.	Pcs/ctn	
Soft-close	<b>C80W676F</b>	200	Soft-close	<b>C80E676F</b>	200
Sprung	<b>C80W676</b>	200	Sprung	<b>C80E676</b>	200

# PIVOT-PRO

## C80 Series $\Phi$ 35mm Soft-close Angled Hinges



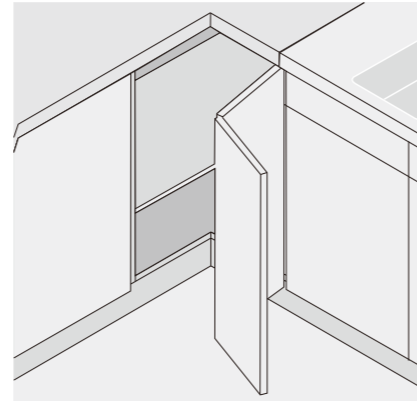
### PRODUCT



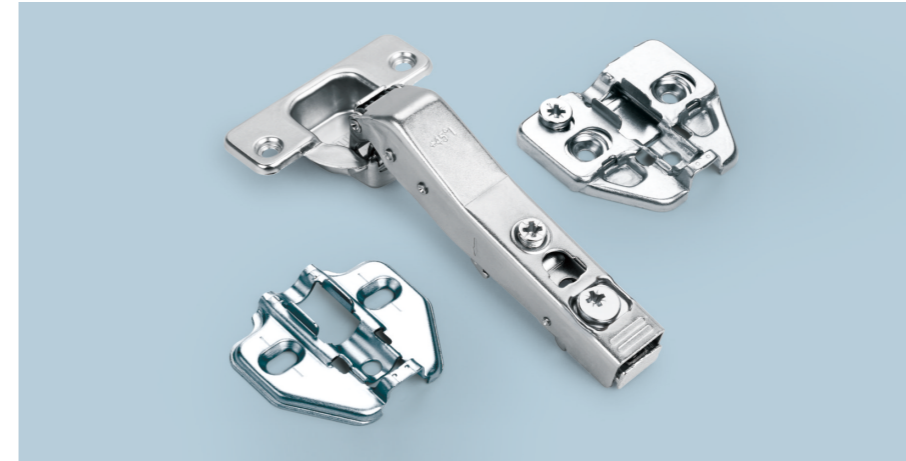
### DESCRIPTION

- Opening angle: 110°
- Depth of hinge cup: 11.5mm
- Diameter of hinge cup: 35mm
- Range of door thickness: 16-26mm
- Possible drilling distances on the door(K): 3-6 mm

### APPLICATION



### ORDER INFORMATION



#### $\Phi$ 35mm Options of screws and dowels:

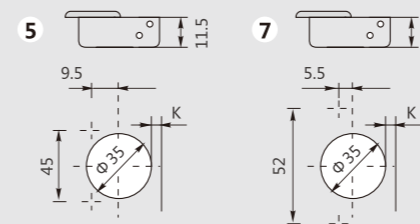
M10 dowel Dowel No: <b>M</b>	Expandable dowel Dowel No: <b>K</b>
M8 dowel Dowel No: <b>N</b>	Expandable dowel Dowel No: <b>K0</b>
Euro screw Dowel No: <b>B</b>	Quick dowel Dowel No: <b>T0</b>

### $\Phi$ 35MM CORNER DOOR, BI-FOLD DOOR, -45°~45° ANGLED HINGE APPLICATIONS

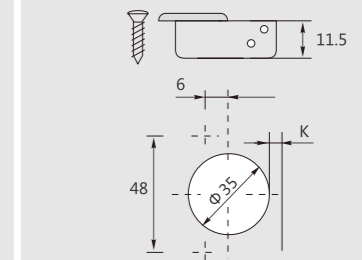
#### Kitchen corner door applications



#### $\Phi$ 35mm Hinge cup types

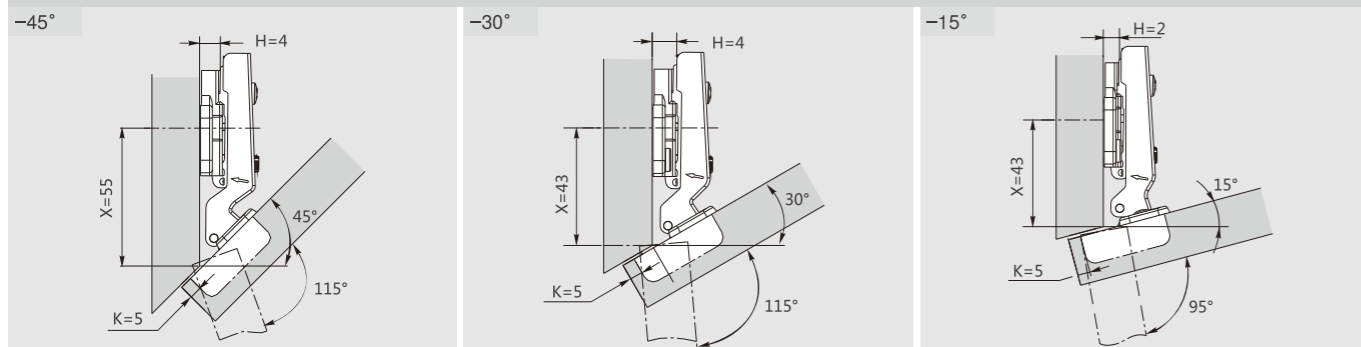


The solution of assembly problems where doors are mounted at a positive or negative angle requires the verification of drilling distances by a practical trial. Please do not hesitate to consult our technical support department for assistance.

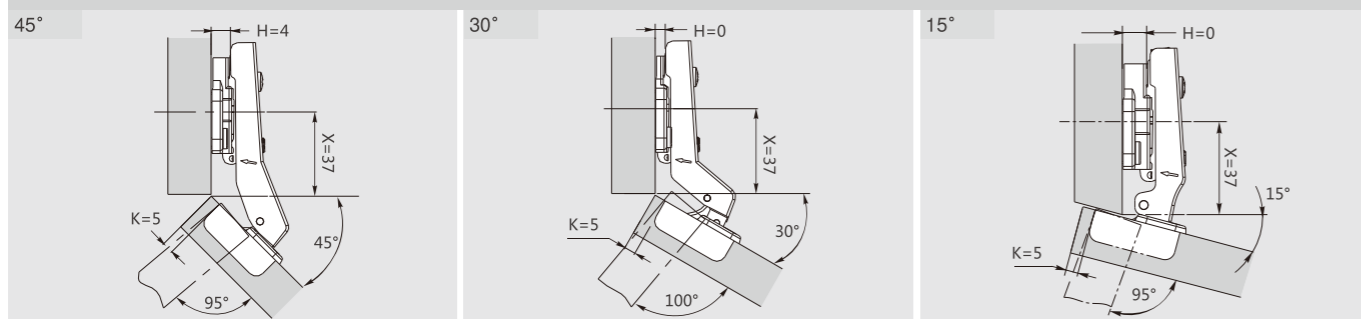


Nickel plated(A01)

#### Negative angled hinge applications



#### Positive angled hinge applications



#### C80 series snap-on soft close angled hinge 110° (two way, cam-adjustable)

90°		90°	
	Adjustment range of D -4.0 +2.0		Adjustment range of D -4.0 +2.0
	Adjustment range of L -0.6 +3.4		Adjustment range of L -0.6 +3.4
Soft-close	Item No. <b>C80J676F</b>	Pcs/ctn	200
Sprung	Item No. <b>C80J676</b>	Pcs/ctn	200
Soft-close	Item No. <b>C80G676F</b>	Pcs/ctn	200
Sprung	Item No. <b>C80G676</b>	Pcs/ctn	200

# PIVOT-PRO

C80 Series  $\Phi$  35mm 155° Soft-close Hinges



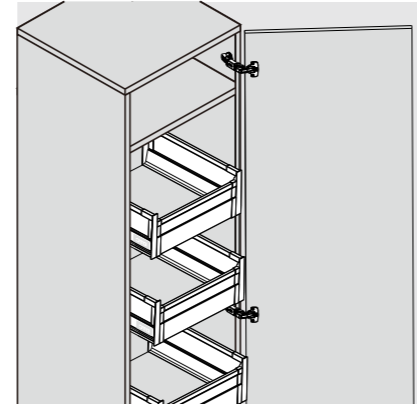
## PRODUCT



## DESCRIPTION

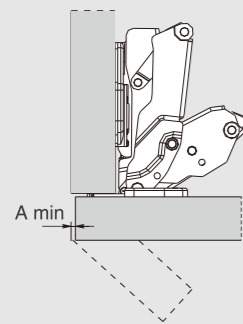
- Opening angle: 155°
- Depth of hinge cup: 11.5mm
- Diameter of hinge cup: 35mm
- Range of door thickness: 16-24mm
- Possible drilling distances on the door(K): 3-6 mm

## APPLICATION



## PLANNING

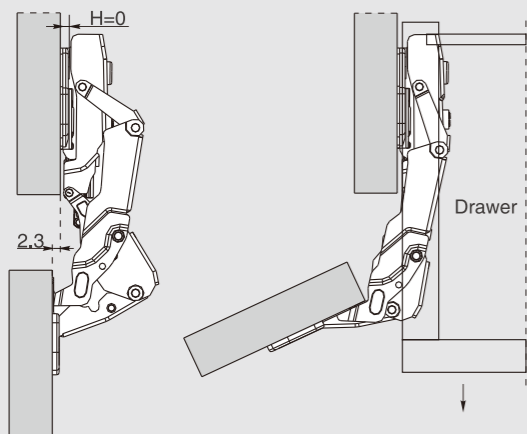
### Space needed to open the door



	T=	16	17	18	19	20	21	22	23	24		
K=3	A=	0	0	0	0	0	0	0	0	0		
K=4	A=	0	0	0	0	0	0	0	0	0		
K=5	A=	0	0	0	0	0	0	0	0	0		
K=6	A=	0	0	0	0	0	0	0	0	0		

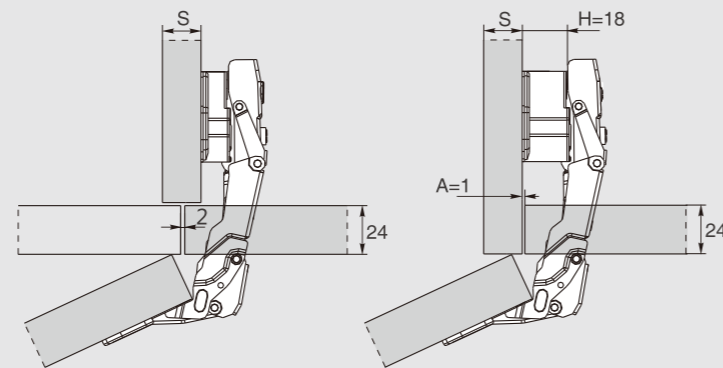
### Application

The door combined with a mounting plate H=0, opens at 90° with a 2.3mm protrusion allowing objects(e.g.drawers) move from inside of the cabinet.



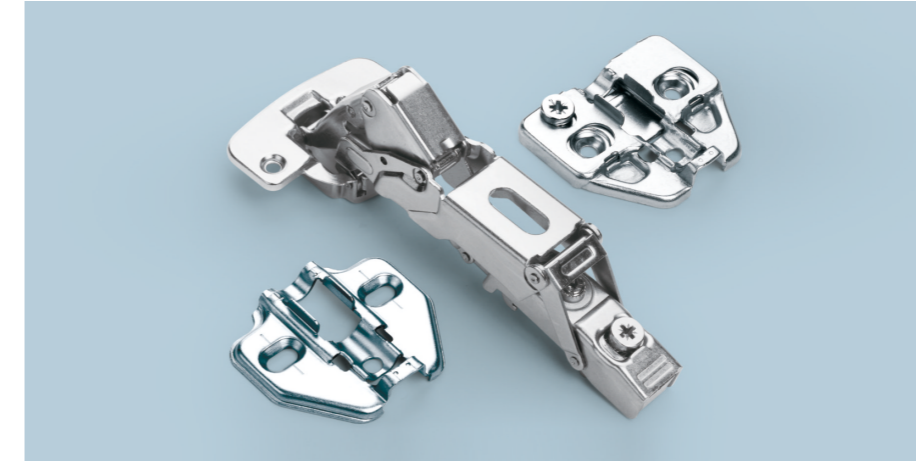
Full overlay C=0

No gap is required when door thickness is less than 24mm. A trial assembly is recommended when door thickness is more than 24mm.



Inset C=18

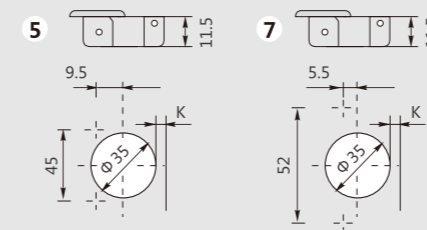
## ORDER INFORMATION



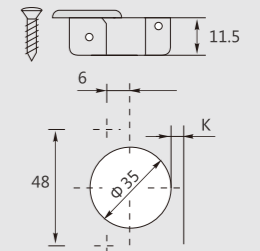
### $\Phi$ 35mm Options of screws and dowels:

M10 dowel Dowel No: <b>M</b>	Expandable dowel Dowel No: <b>K</b>
M8 dowel Dowel No: <b>N</b>	Expandable dowel Dowel No: <b>K0</b>
Euro screw Dowel No: <b>B</b>	Quick dowel Dowel No: <b>T0</b>

### $\Phi$ 35mm Hinge cup types



Use these formulas to determine the type of hinge arm, the drilling distance "K" and the height of the mounting plate "H" for each door application.



Nickel plated(A01)

### C80 series snap-on soft close hinge 155° (two way, cam-adjustable)

Full overlay C=0		Small overlay C=4		Half overlay C=9		Inset C=18	
H=11+K-(D)		H=11+K-(D)		H=11+K-(D)		H=12+K-(D)	
H=0 Mounting plate only		H=4 Mounting plate only		H=9 Mounting plate only		H=18 Mounting plate only	
Item No.	Pcs/ctn	Item No.	Pcs/ctn	Item No.	Pcs/ctn	Item No.	Pcs/ctn
Soft-close <b>C80A606F</b>	100	Soft-close <b>C80A606F</b>	100	Soft-close <b>C80A606F</b>	100	Soft-close <b>C80A606F</b>	100
Sprung <b>C80A606</b>	100	Sprung <b>C80A606</b>	100	Sprung <b>C80A606</b>	100	Sprung <b>C80A606</b>	100