

PIVOT-PRO

C80 Series Φ 35mm Soft-close Angled Hinges



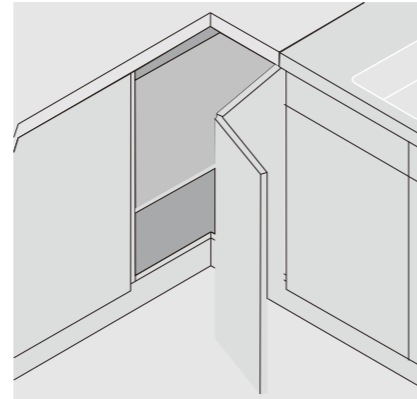
PRODUCT



DESCRIPTION

- Opening angle: 110°
- Depth of hinge cup: 11.5mm
- Diameter of hinge cup: 35mm
- Range of door thickness: 16-26mm
- Possible drilling distances on the door(K): 3-6 mm

APPLICATION



ORDER INFORMATION

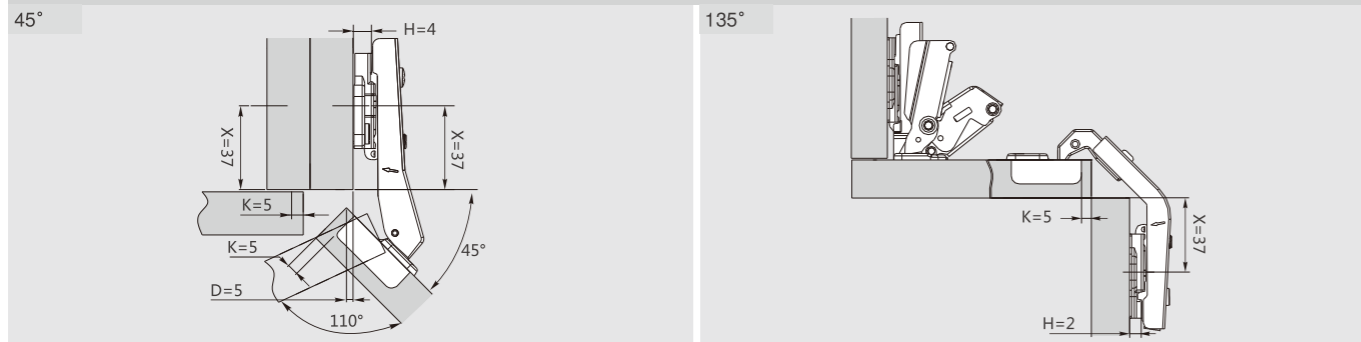


Φ 35mm Options of screws and dowels:

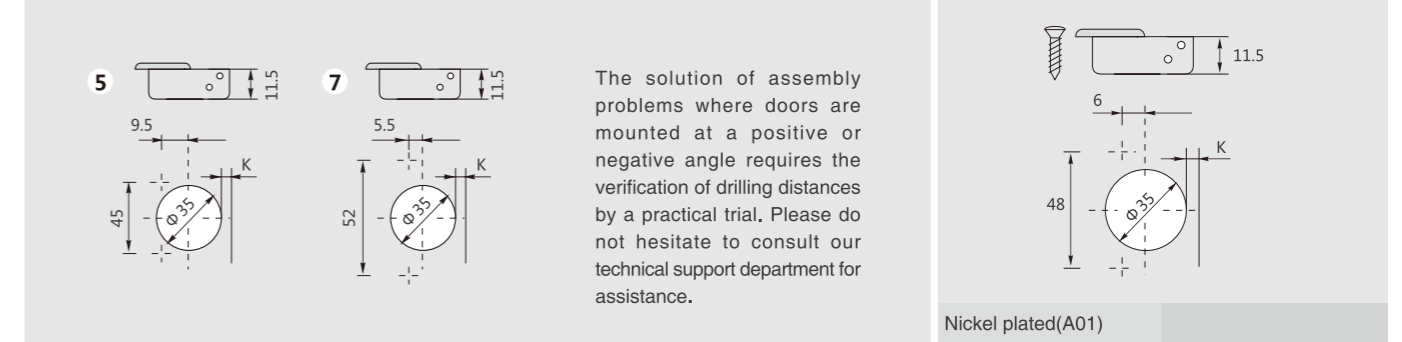
| | |
|----------------------------------|---|
| M10 dowel Dowel No: M | Expandable dowel Dowel No: K |
| M8 dowel Dowel No: N | Expandable dowel Dowel No: K0 |
| Euro screw Dowel No: B | Quick dowel Dowel No: T0 |

Φ 35MM CORNER DOOR, BI-FOLD DOOR, -45°~45° ANGLED HINGE APPLICATIONS

Kitchen corner door applications

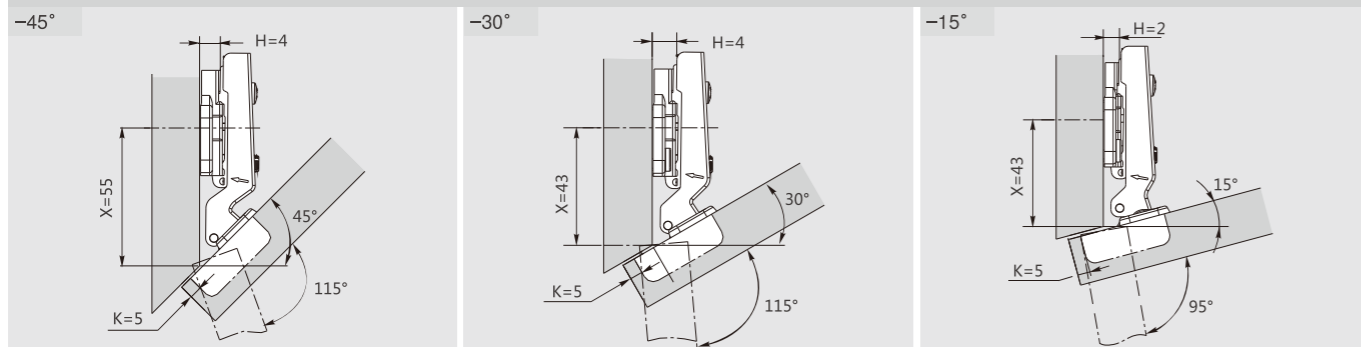


Φ 35mm Hinge cup types

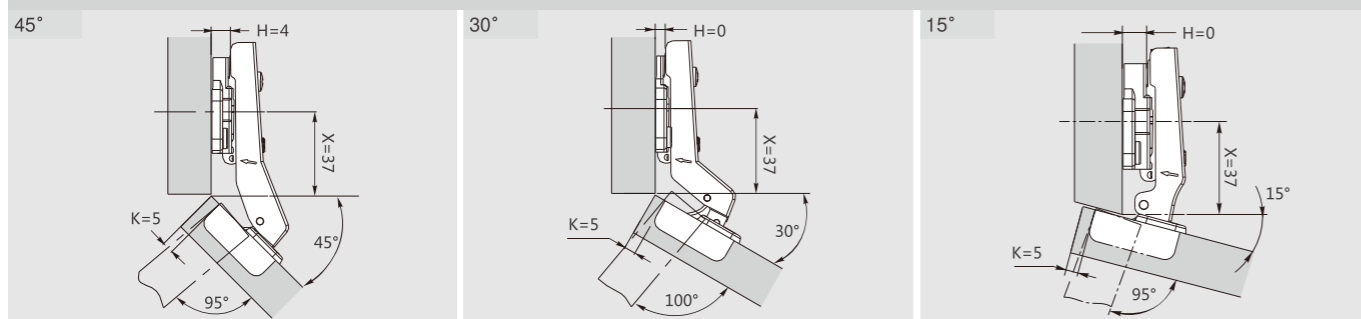


Nickel plated(A01)

Negative angled hinge applications



Positive angled hinge applications



C80 series snap-on soft close angled hinge 110° (two way, cam-adjustable)

| Overlay 30° | | Small Overlay 45° | |
|--|---------|--|---------|
| | | | |
| <p>Adjustment range of D: +2.0 --- -4.0</p> <p>Adjustment range of D1: +2.0 --- -4.0</p> | | <p>Adjustment range of L: -0.6 --- +3.4</p> <p>Adjustment range of D1: +2.0 --- -4.0</p> | |
| Item No. | Pcs/ctn | Item No. | Pcs/ctn |
| Soft-close C80W676F | 200 | Soft-close C80E676F | 200 |
| Sprung C80W676 | 200 | Sprung C80E676 | 200 |

PIVOT-PRO

C80 Series Φ 35mm Soft-close Angled Hinges



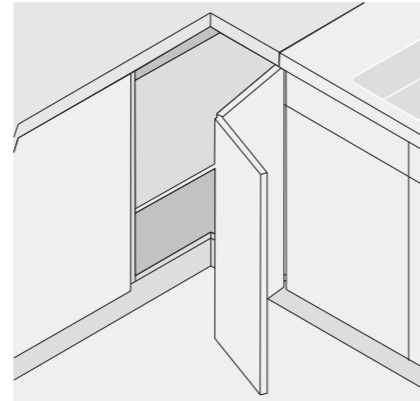
PRODUCT



DESCRIPTION

- Opening angle: 110°
- Depth of hinge cup: 11.5mm
- Diameter of hinge cup: 35mm
- Range of door thickness: 16-26mm
- Possible drilling distances on the door(K): 3-6 mm

APPLICATION



ORDER INFORMATION



Φ 35mm Options of screws and dowels:

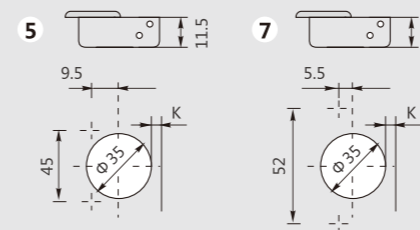
| | |
|----------------------------------|---|
| M10 dowel Dowel No: M | Expandable dowel Dowel No: K |
| M8 dowel Dowel No: N | Expandable dowel Dowel No: K0 |
| Euro screw Dowel No: B | Quick dowel Dowel No: T0 |

Φ 35MM CORNER DOOR, BI-FOLD DOOR, -45°~45° ANGLED HINGE APPLICATIONS

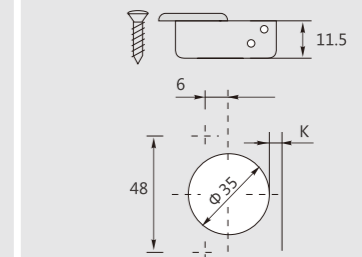
Kitchen corner door applications



Φ 35mm Hinge cup types

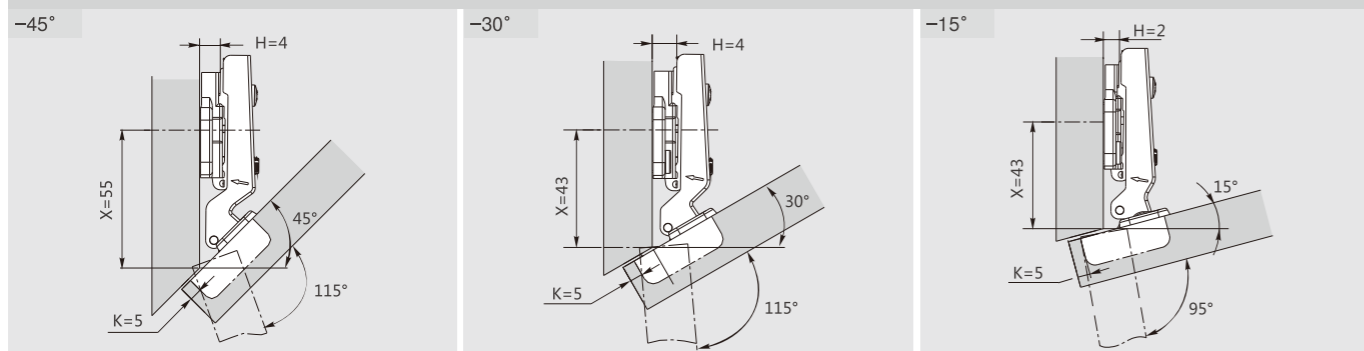


The solution of assembly problems where doors are mounted at a positive or negative angle requires the verification of drilling distances by a practical trial. Please do not hesitate to consult our technical support department for assistance.

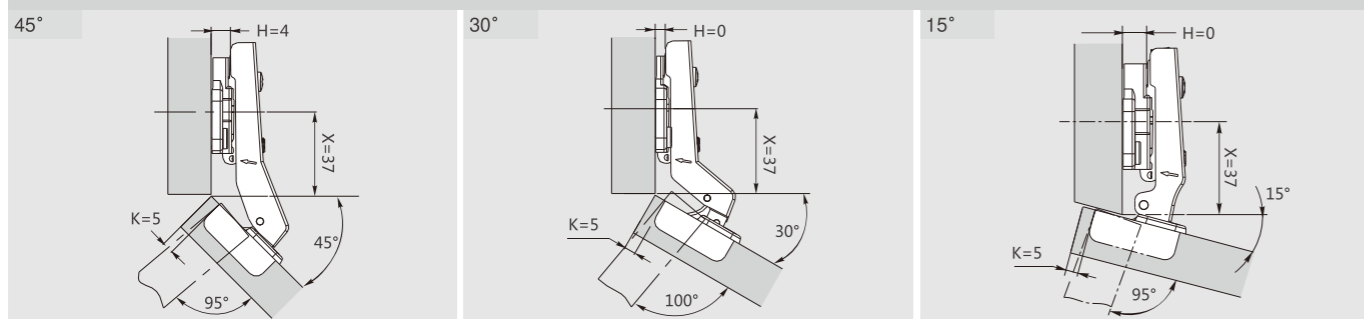


Nickel plated(A01)

Negative angled hinge applications



Positive angled hinge applications



C80 series snap-on soft close angled hinge 110° (two way, cam-adjustable)

| | | | |
|------------|-------------------------------------|---------|-------------------------------------|
| 90° | | 90° | |
| | | | |
| | Adjustment range of D -4.0 --- +2.0 | | Adjustment range of D -4.0 --- +2.0 |
| | Adjustment range of L -0.6 --- +3.4 | | Adjustment range of L -0.6 --- +3.4 |
| Soft-close | Item No. C80J676F | Pcs/ctn | 200 |
| Sprung | Item No. C80J676 | Pcs/ctn | 200 |
| Soft-close | Item No. C80G676F | Pcs/ctn | 200 |
| Sprung | Item No. C80G676 | Pcs/ctn | 200 |

PIVOT-PRO

C80 Series Φ 35mm 155° Soft-close Hinges



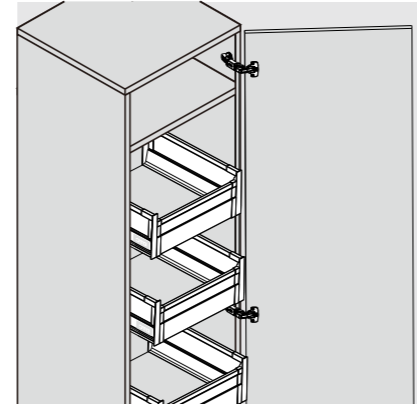
PRODUCT



DESCRIPTION

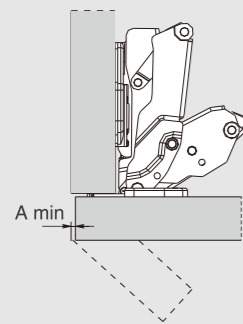
- Opening angle: 155°
- Depth of hinge cup: 11.5mm
- Diameter of hinge cup: 35mm
- Range of door thickness: 16-24mm
- Possible drilling distances on the door(K): 3-6 mm

APPLICATION



PLANNING

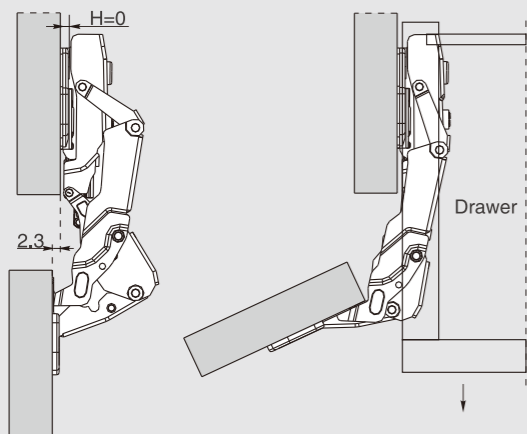
Space needed to open the door



| | T= | 16 | 17 | 18 | 19 | 20 | 21 | 22 | 23 | 24 | | |
|-----|----|----|----|----|----|----|----|----|----|----|--|--|
| K=3 | A= | 0 | 0 | 0 | 0 | 0 | 0 | 0 | 0 | 0 | | |
| K=4 | A= | 0 | 0 | 0 | 0 | 0 | 0 | 0 | 0 | 0 | | |
| K=5 | A= | 0 | 0 | 0 | 0 | 0 | 0 | 0 | 0 | 0 | | |
| K=6 | A= | 0 | 0 | 0 | 0 | 0 | 0 | 0 | 0 | 0 | | |

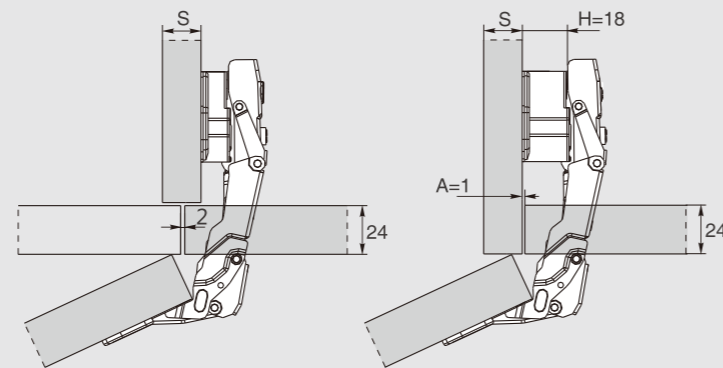
Application

The door combined with a mounting plate H=0, opens at 90° with a 2.3mm protrusion allowing objects(e.g.drawers) move from inside of the cabinet.



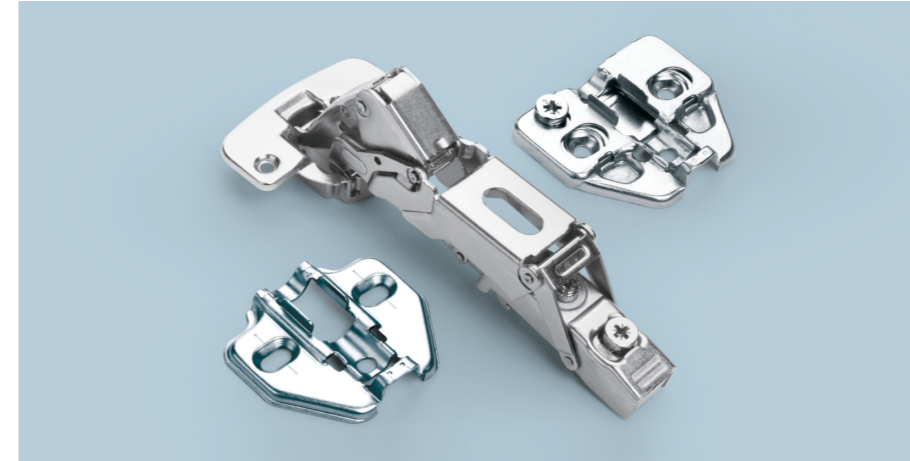
Full overlay C=0

No gap is required when door thickness is less than 24mm. A trial assembly is recommended when door thickness is more than 24mm.



Inset C=18

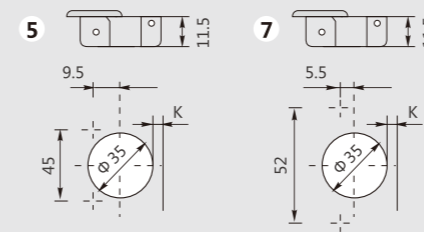
ORDER INFORMATION



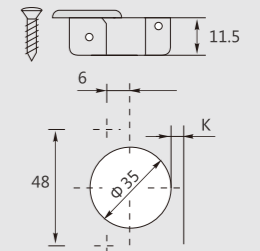
Φ 35mm Options of screws and dowels:

| | |
|----------------------------------|---|
| M10 dowel Dowel No: M | Expandable dowel Dowel No: K |
| M8 dowel Dowel No: N | Expandable dowel Dowel No: K0 |
| Euro screw Dowel No: B | Quick dowel Dowel No: T0 |

Φ 35mm Hinge cup types



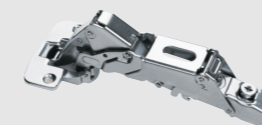
Use these formulas to determine the type of hinge arm, the drilling distance "K" and the height of the mounting plate "H" for each door application.



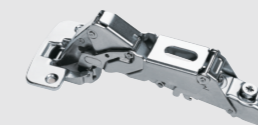
Nickel plated(A01)

C80 series snap-on soft close hinge 155° (two way, cam-adjustable)

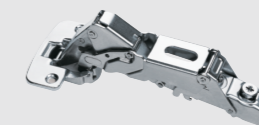
Full overlay C=0



Small overlay C=4



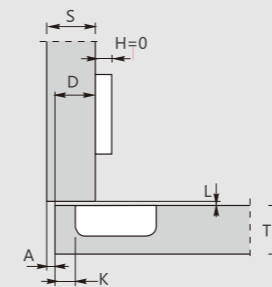
Half overlay C=9



Inset C=18



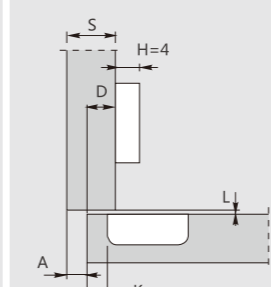
H=11+K-(D)



H=0 Mounting plate only

| | Item No. | Pcs/ctn |
|------------|-----------------|---------|
| Soft-close | C80A606F | 100 |
| Sprung | C80A606 | 100 |

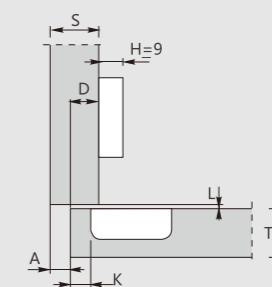
H=11+K-(D)



H=4 Mounting plate only

| | Item No. | Pcs/ctn |
|------------|-----------------|---------|
| Soft-close | C80A606F | 100 |
| Sprung | C80A606 | 100 |

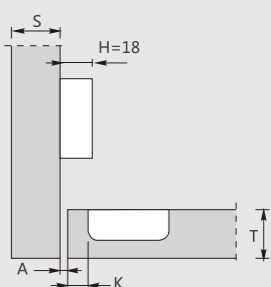
H=11+K-(D)



H=9 Mounting plate only

| | Item No. | Pcs/ctn |
|------------|-----------------|---------|
| Soft-close | C80A606F | 100 |
| Sprung | C80A606 | 100 |

H=12+K-(D)



H=18 Mounting plate only

| | Item No. | Pcs/ctn |
|------------|-----------------|---------|
| Soft-close | C80A606F | 100 |
| Sprung | C80A606 | 100 |